

## ASSEMBLY INSTRUCTIONS:

Product Code : SPC12 / SPC18 / CMZ1245 / CMZ1545 / CMZ1845

Product Name: Rapid Span Credenza

### TIME REQUIRED:

35 minutes

### TOOLS REQUIRED:

Screwdriver, Electric Drill, Pencil, Measuring tape/Ruler

\*Tools are not included.

### SKILL REQUIRED:

Easy ●●●●○ Hard

The Assembly Skill Rating is a 5-point system that shows the degree of effort needed in assembling a specific product. With 1 being easy for the average person and 5 requiring an expert. For most products, two persons are recommended.

#### NOTE

- As this is a commercial product, some intermediate skills may be required.
  - No pre-drill holes or markings are provided on our table or desk tops.
  - Please check you have all hardware before assembling.
- If you are missing any hardware, please contact your Rapidline reseller. Please ensure you have the name of the item, required hardware part and quantity.
  - Please retain your receipt as proof of purchase to validate your warranty.
- Assemble on a clean, flat, smooth surface such as a rug or carpet to avoid parts from being scratched.
  - Remove all wrapping materials, including staples and packing straps before you start to assemble
    - Keep all hardware parts out of reach of children.

#### CAUTION

- Heavy product. Do not attempt to lift or move without help
- Do not tighten screws and bolts until completely assembled.
- Do not use this product unless all bolts and screws are firmly secured and tightened.

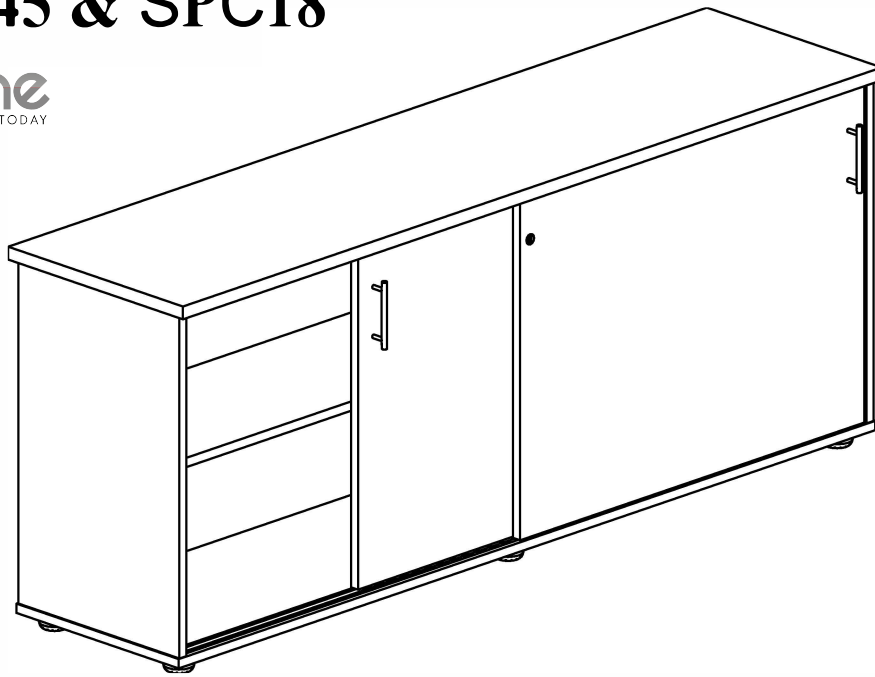
#### WARNING

- If parts are missing, broken, damaged or worn stop using the product until all repairs are made.
  - Failure to follow these warnings could result in serious injury.

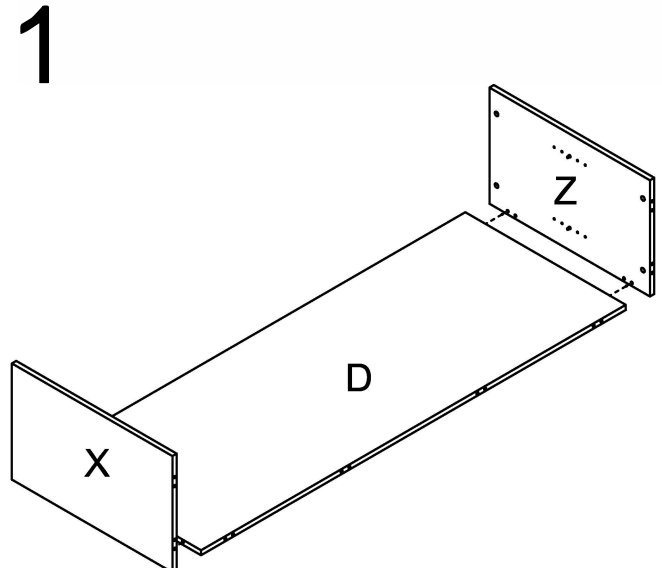
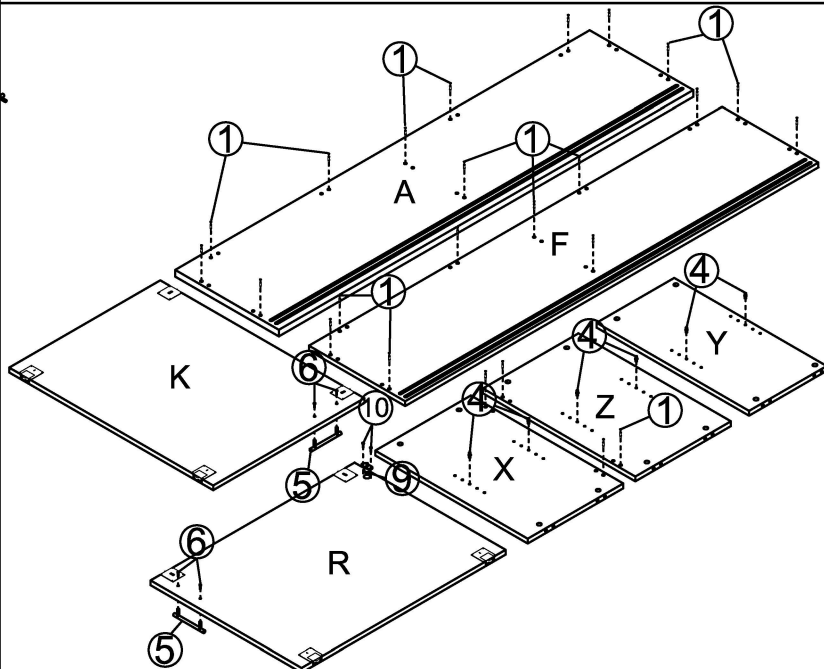
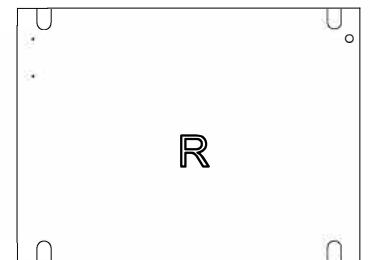
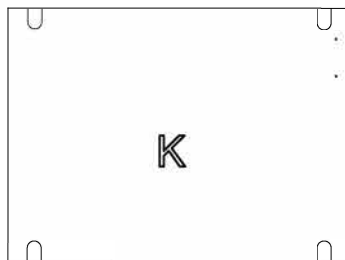
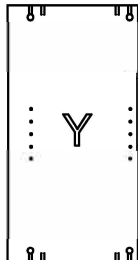
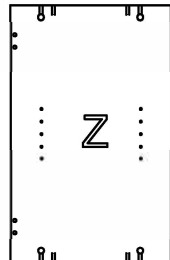
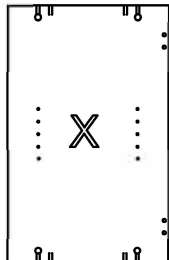
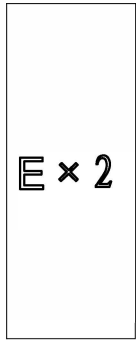
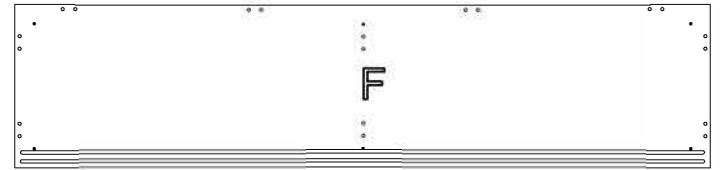
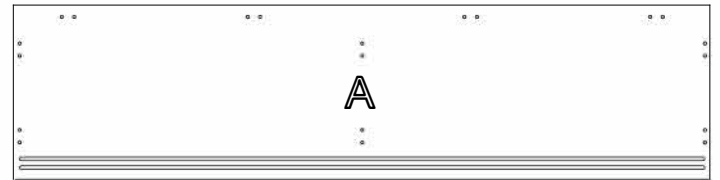
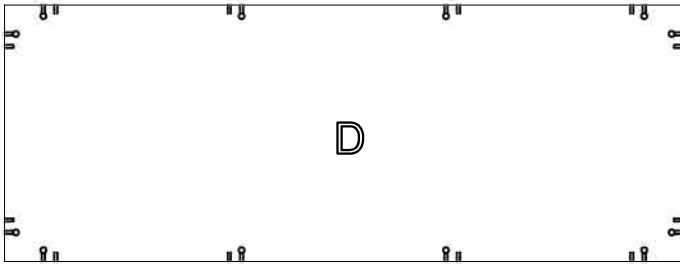
# ASSEMBLY INSTRUCTIONS

## CMZ1845 & SPC18

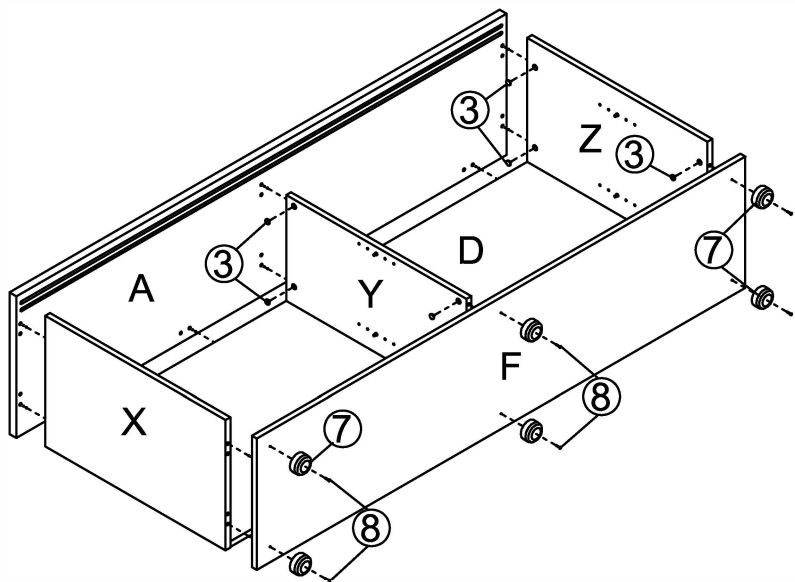
**rapidline**  
FURNITURE FOR TODAY



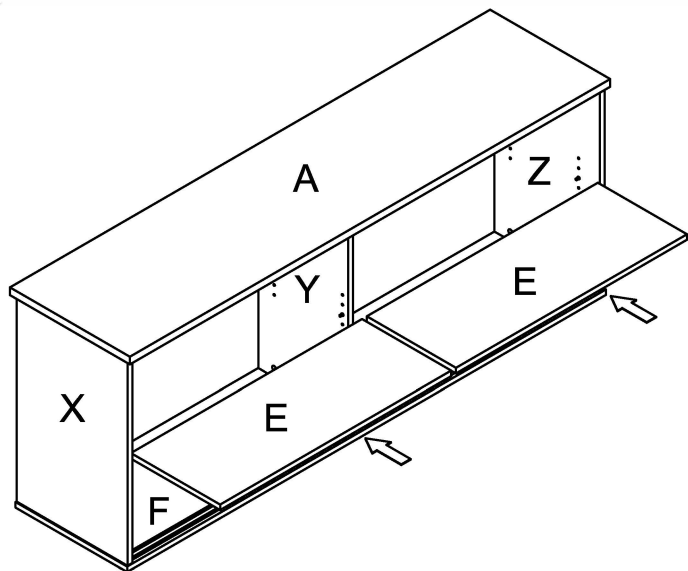
|                                 |      |                                   |
|---------------------------------|------|-----------------------------------|
| pin<br>1<br>24PCS               | 6x35 | CAM<br>2<br>24PCS                 |
| Cam Cover<br>3<br>24PCS         |      | Bit Mixix<br>18H1A+6<br>4<br>8PCS |
| T-Handle<br>5<br>2PCS           |      | Screw<br>4x22<br>6<br>4PCS        |
| CUSHIOA<br>25H1A+6<br>7<br>6PCS |      | Screw<br>4x30<br>8<br>6PCS        |
| LOCK<br>9<br>1PCS               |      | Screw<br>3.5x13<br>10<br>2PCS     |
|                                 |      |                                   |



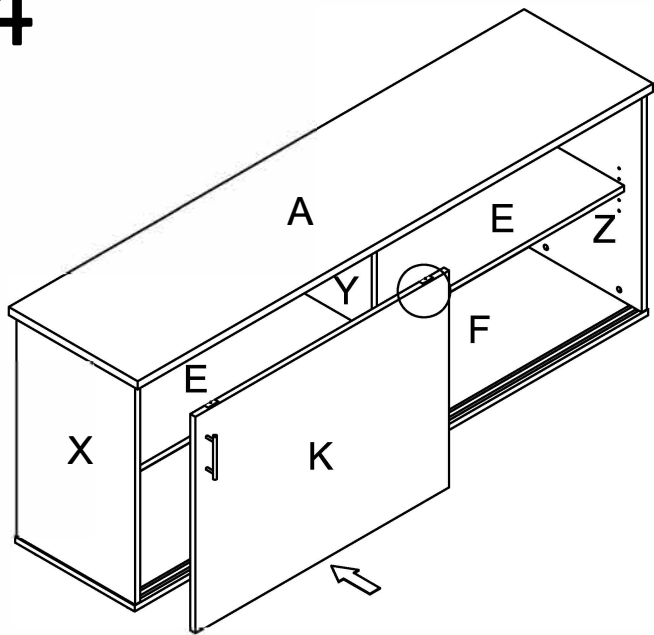
2



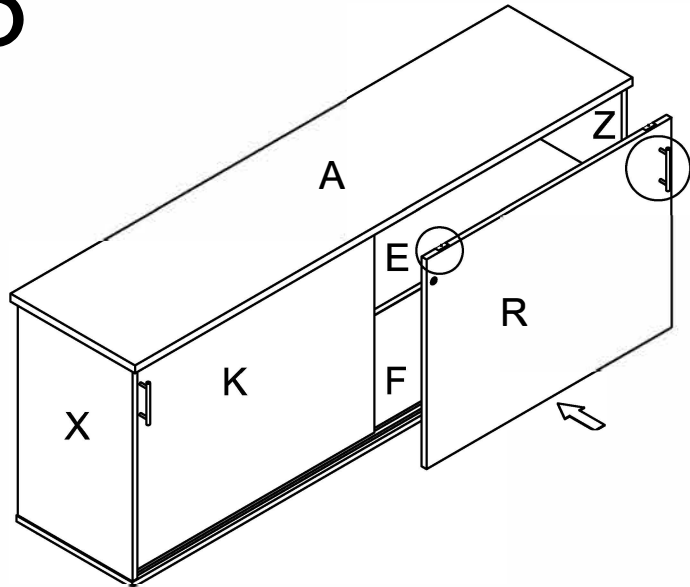
3



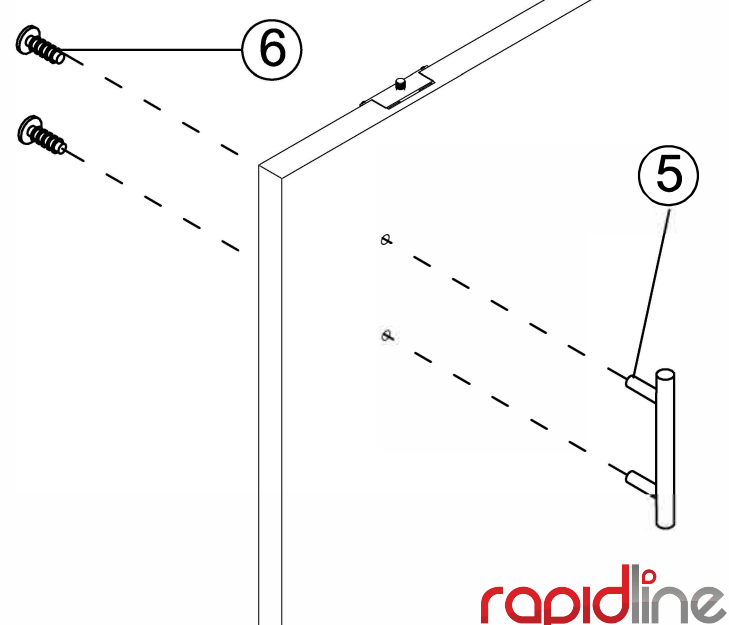
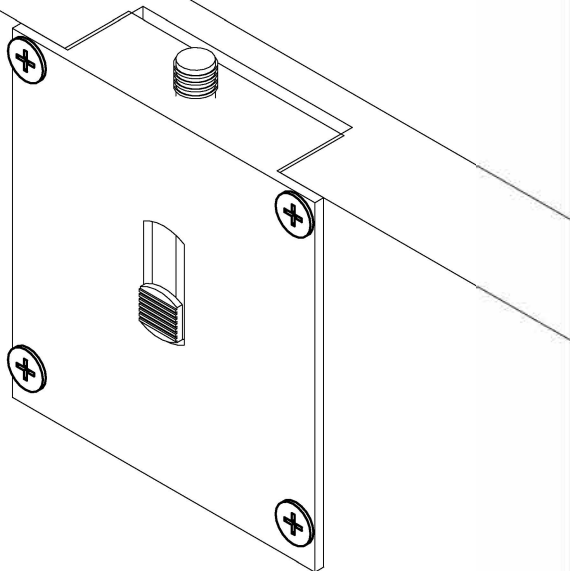
4



5



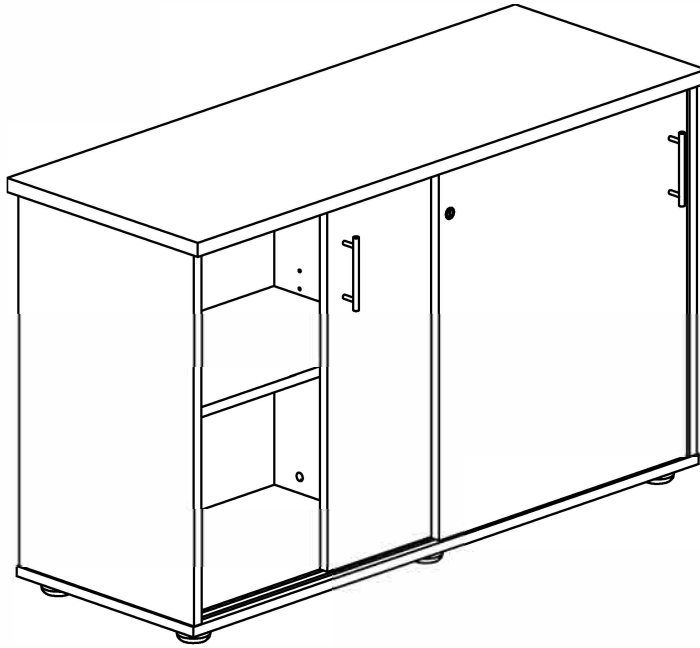
6



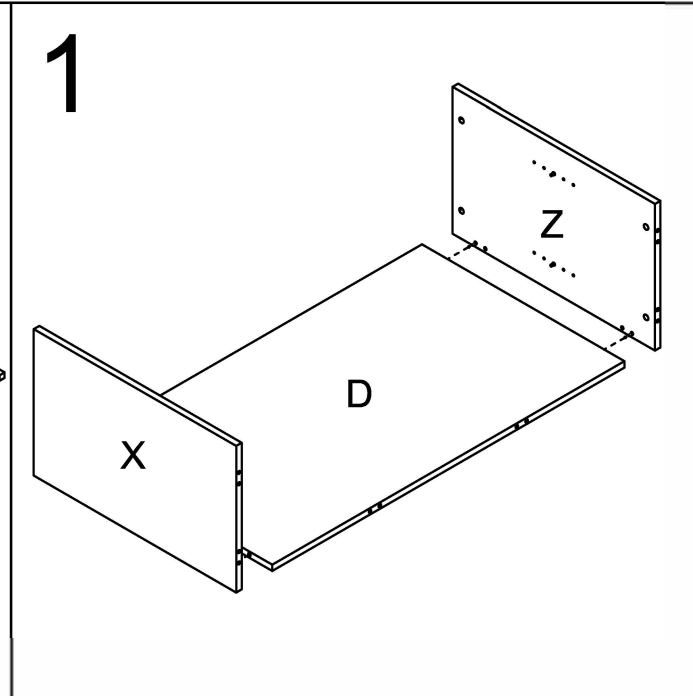
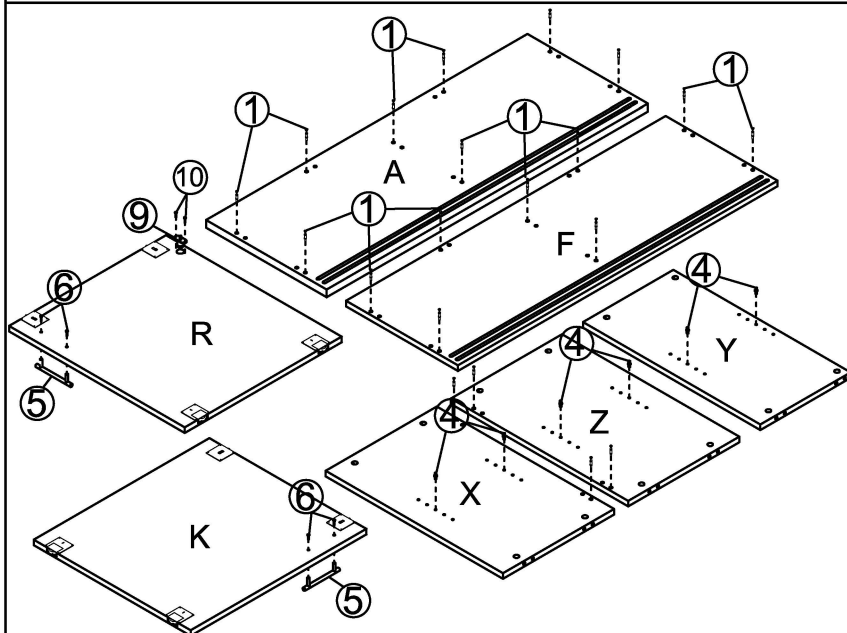
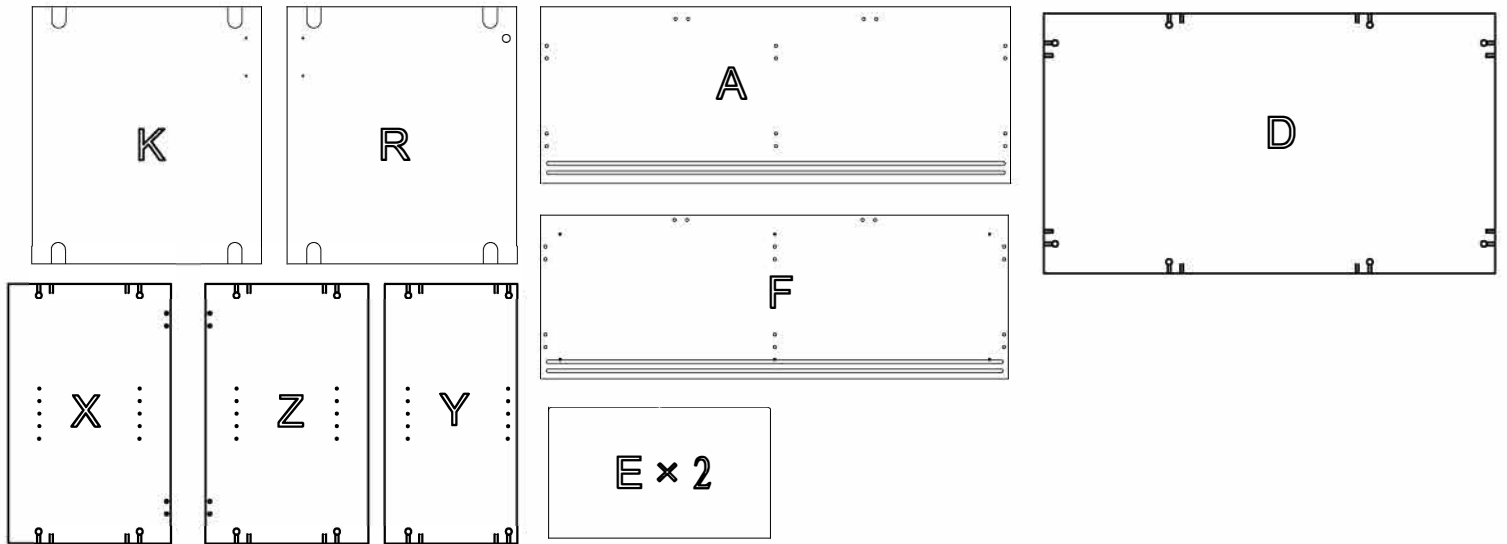
# ASSEMBLY INSTRUCTIONS

## CMZ1545

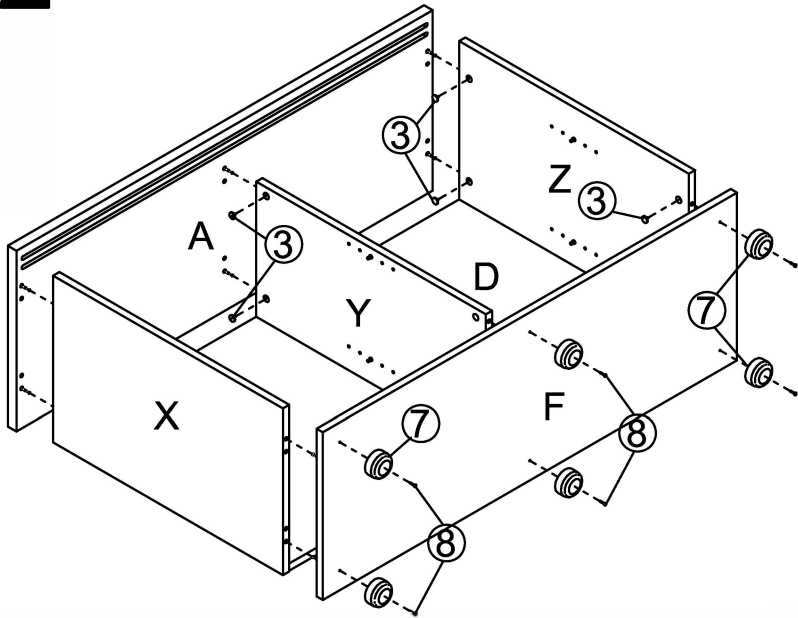
**rapidline**  
FURNITURE FOR TODAY



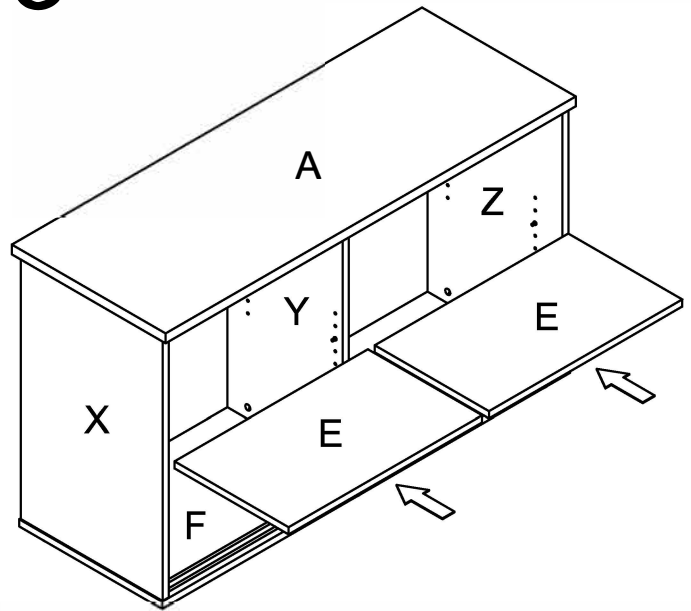
|                         |   |              |
|-------------------------|---|--------------|
| pin<br>1<br>20PCS       | 6x35<br>2                                   | CAM<br>20PCS |
| Cam Cover<br>3<br>20PCS | Bolt Nut<br>18H <sub>1</sub> A<br>4<br>8PCS |              |
| T-Handle<br>5<br>2PCS   | Screw<br>4x22<br>6<br>4PCS                  |              |
| CUSHION<br>7<br>6PCS    | Screw<br>4x30<br>8<br>6PCS                  |              |
| LOCK<br>9<br>1PCS       | Screw<br>3.5x13<br>10<br>2PCS               |              |
|                         |   |              |



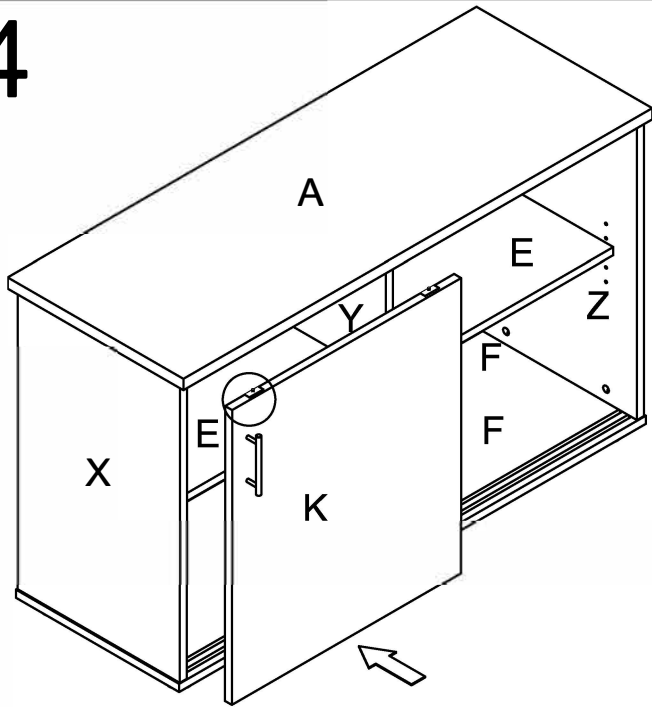
2



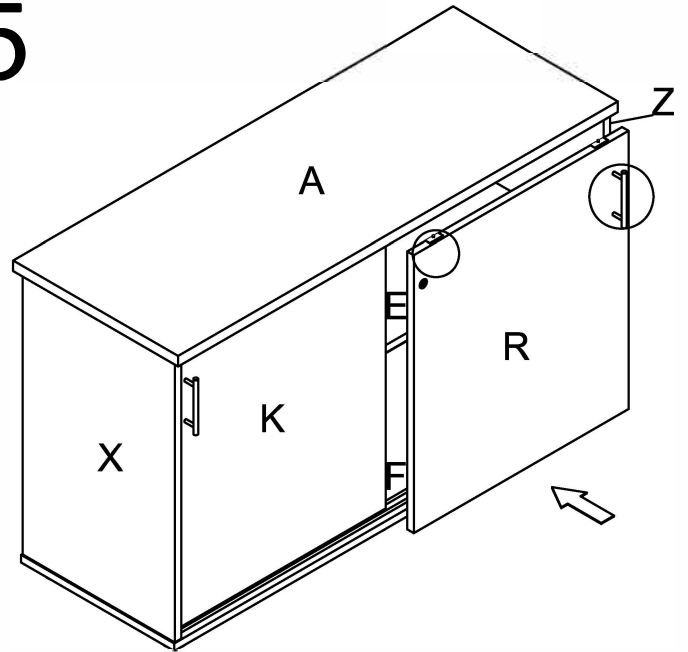
3



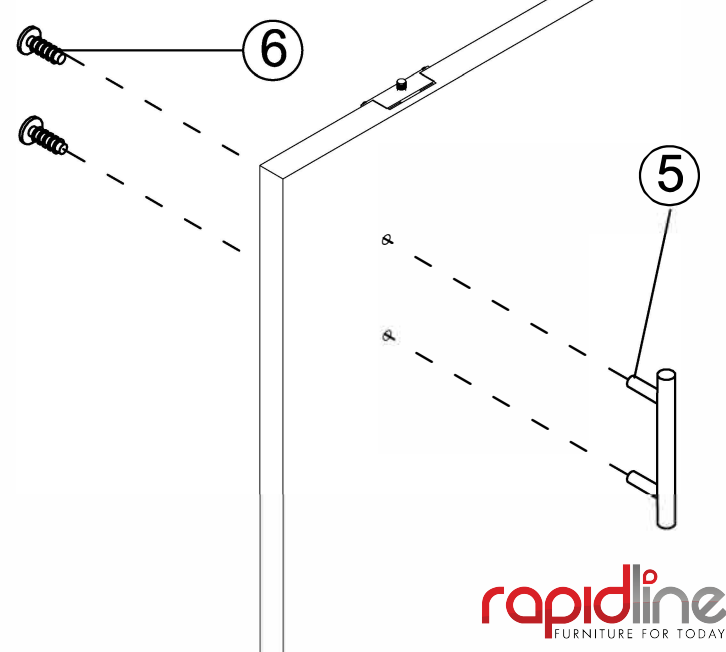
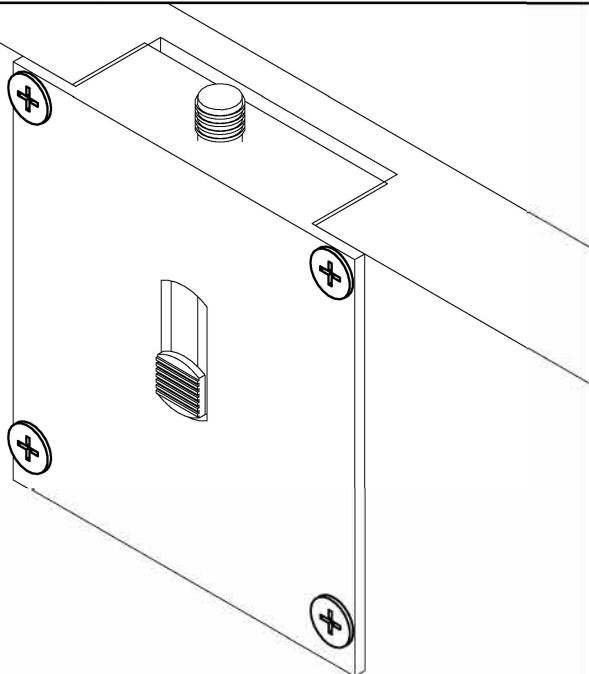
4



5



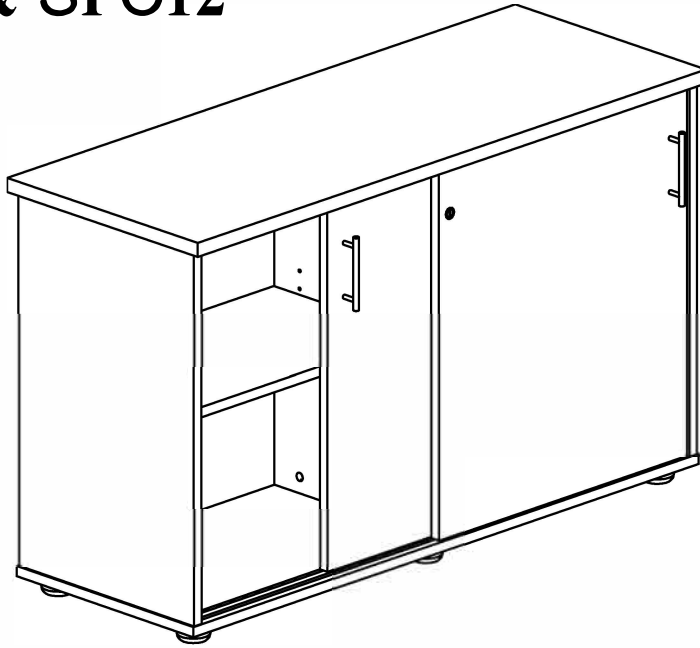
6



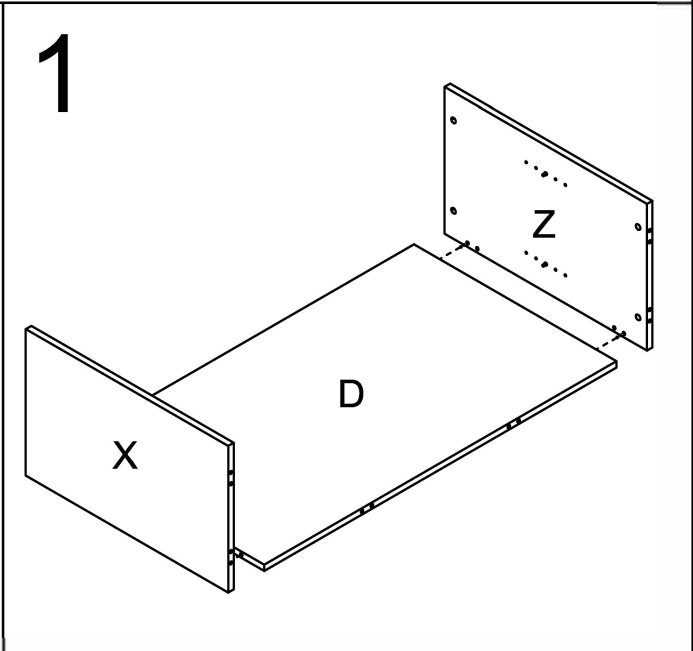
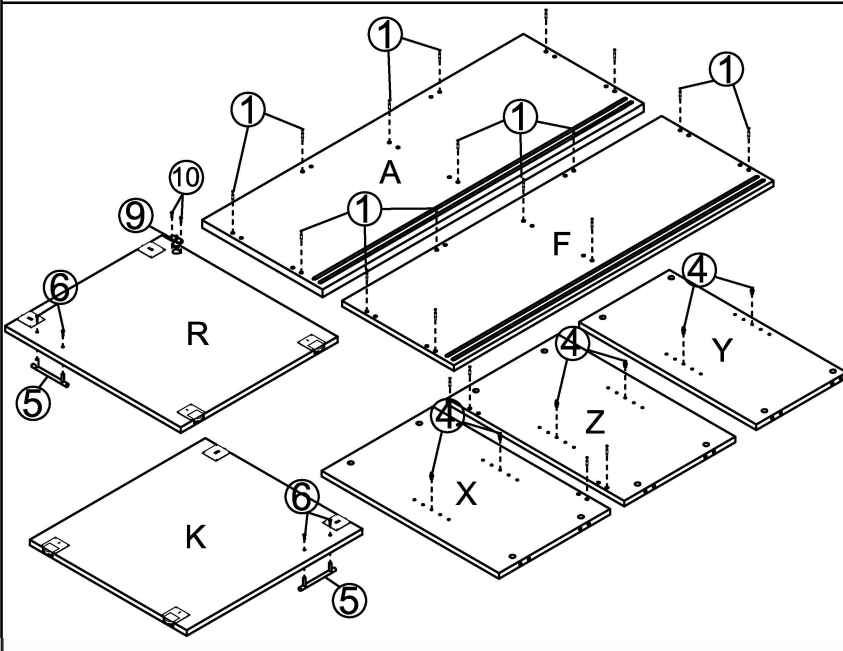
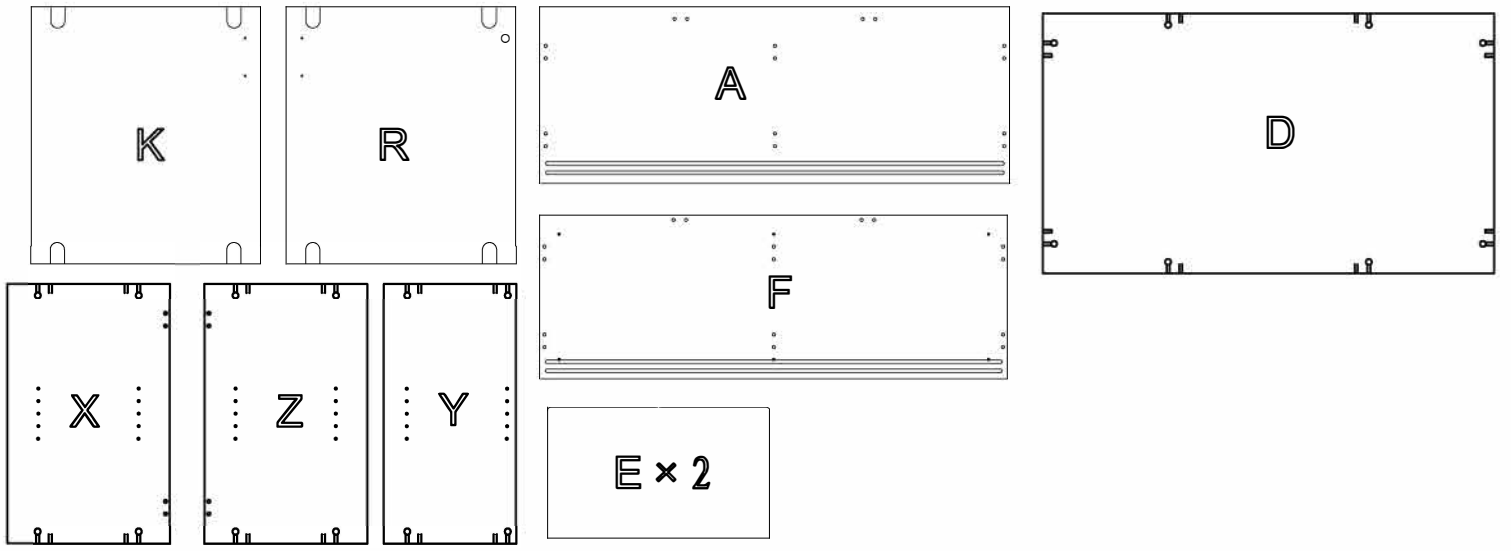
# ASSEMBLY INSTRUCTIONS

## CMZ1245 & SPC12

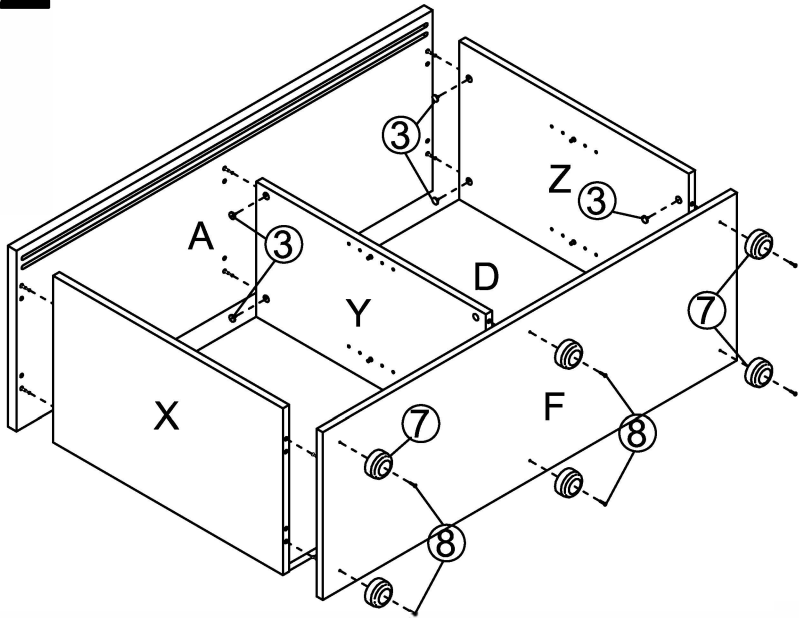
**rapidline**  
FURNITURE FOR TODAY



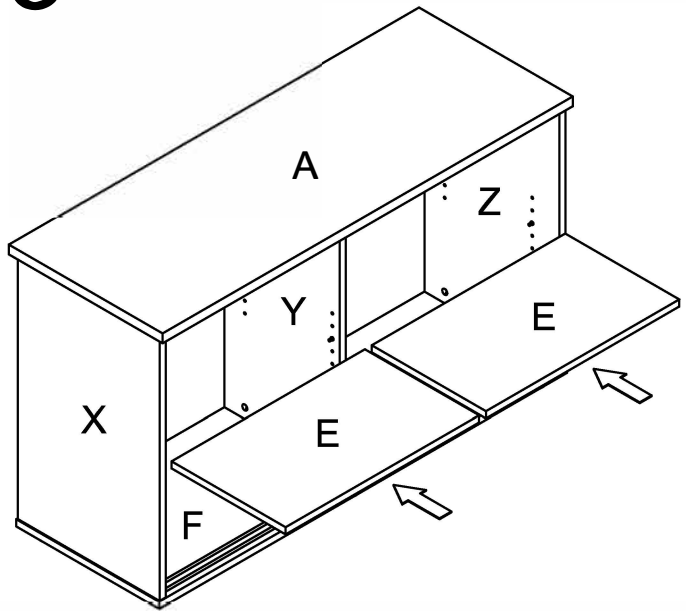
|                                 |                                    |
|---------------------------------|------------------------------------|
| pin<br>6x35<br>1<br>20PCS       | CAM<br>2<br>20PCS                  |
| Cam Cover<br>3<br>20PCS         | Bolt M8x16<br>18H1A+6<br>4<br>8PCS |
| T-Handle<br>5<br>2PCS           | Screw<br>4x22<br>6<br>4PCS         |
| CUSHION<br>25H1A+6<br>7<br>6PCS | Screw<br>4x30<br>8<br>6PCS         |
| LOCK<br>9<br>1PCS               | Screw<br>3.5x13<br>10<br>2PCS      |
|                                 |                                    |



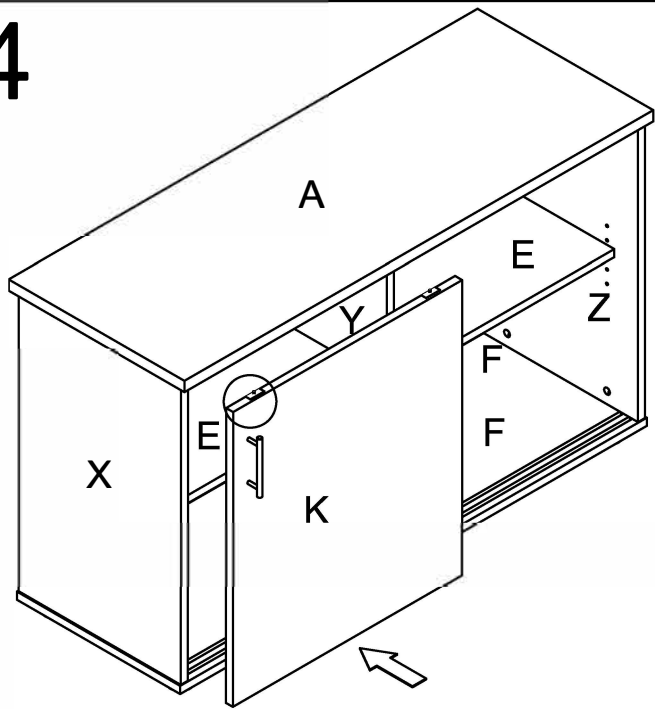
2



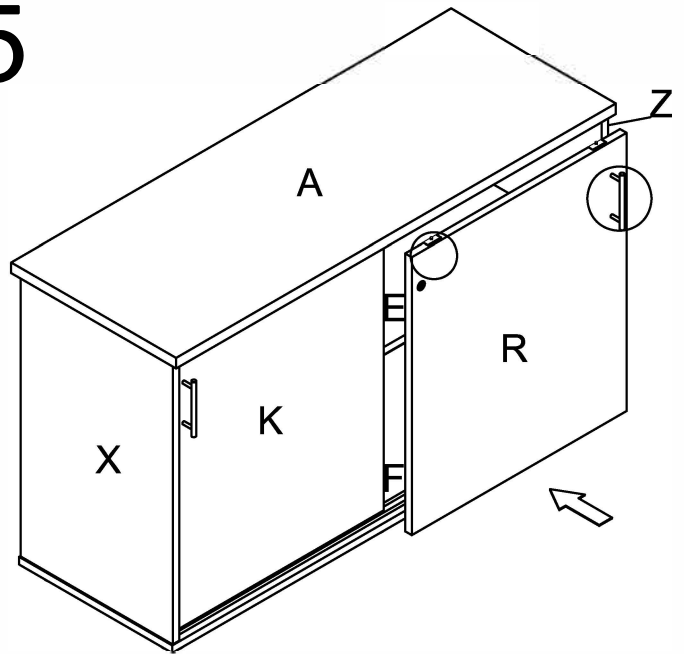
3



4



5



6

