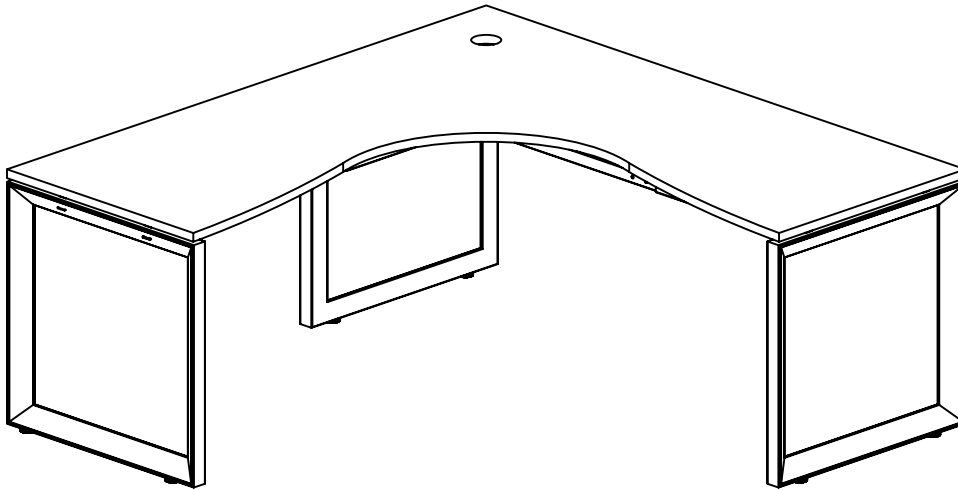


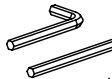



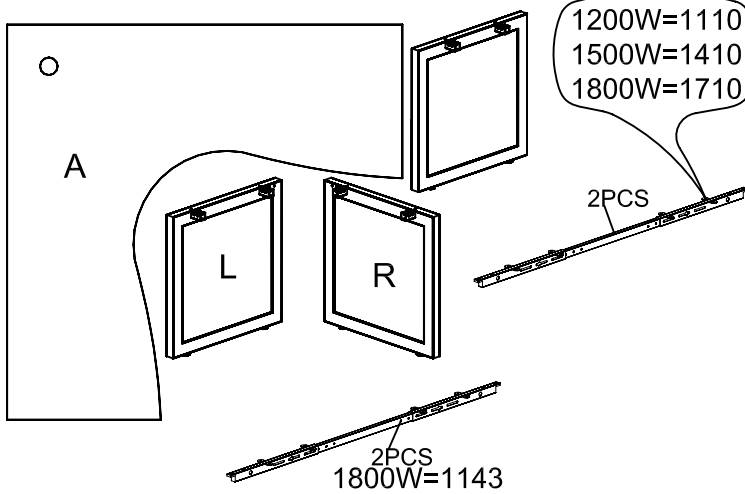
Assembly Instructions

MODEL NO: Loop Leg Assembly Instructions

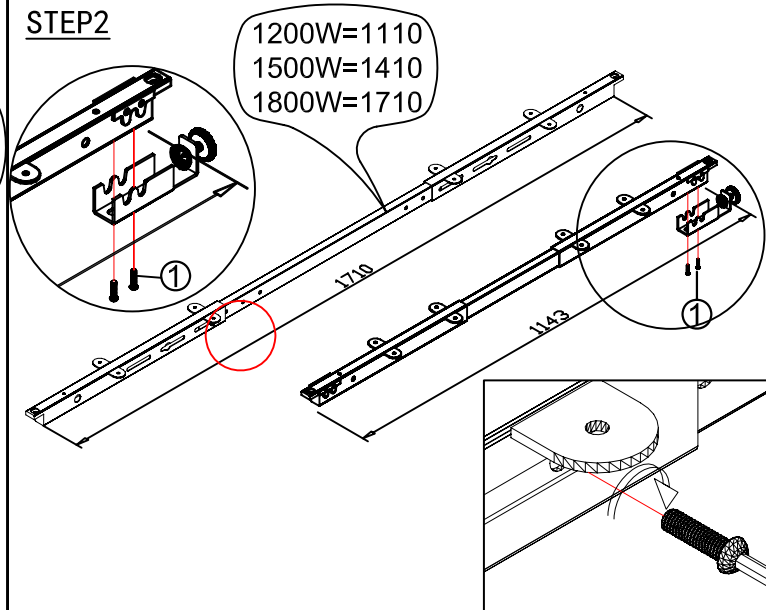


Screw	8×16
	1
	22PCS
Screw	5×20
	2
	32PCS
	M5
	1PCS
	
	2PCS

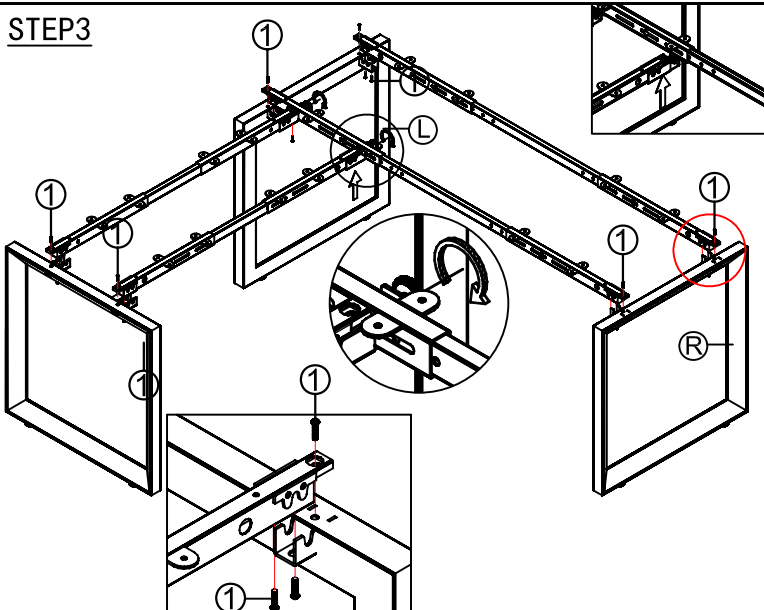
STEP1



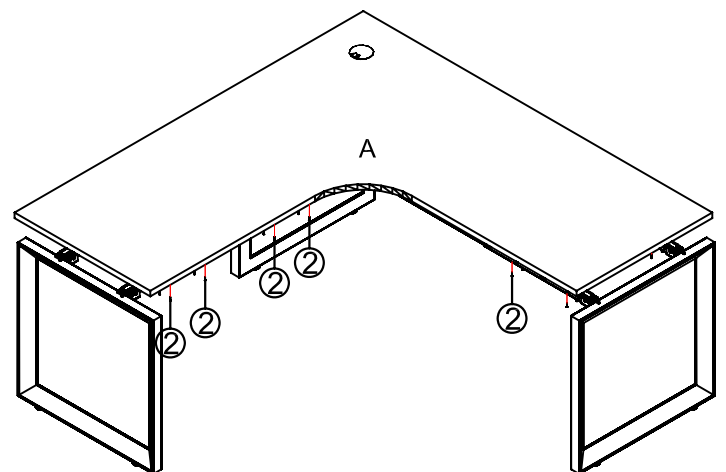
STEP2



STEP3

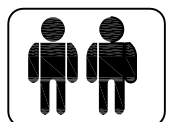


STEP4



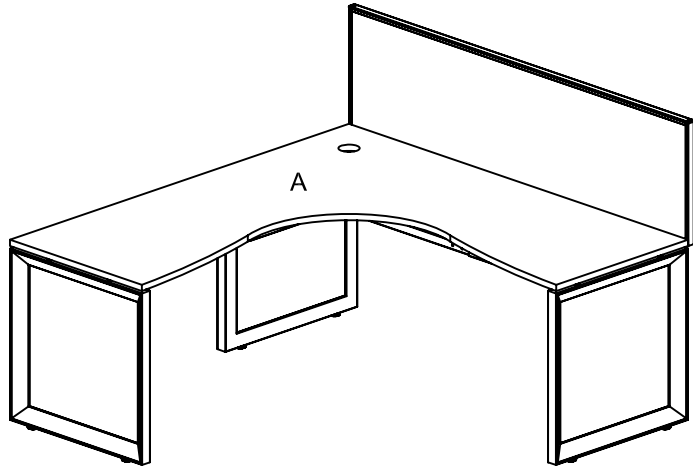
IMPORTANT NOTE:

- Place all laminated parts on a clean and smooth surface such as a rug or carpet to avoid the parts from being scratched.
- Check to be sure that you have all parts and hardware.
- Remove all wrapping materials, including staples & packing straps before you start to assemble.
- Don't tighten all screws/bolts until all completely assembled.
- Keep all hardware parts out of reach of children



Assembly Instructions

MODEL NO: Loop Leg Assembly Instructions

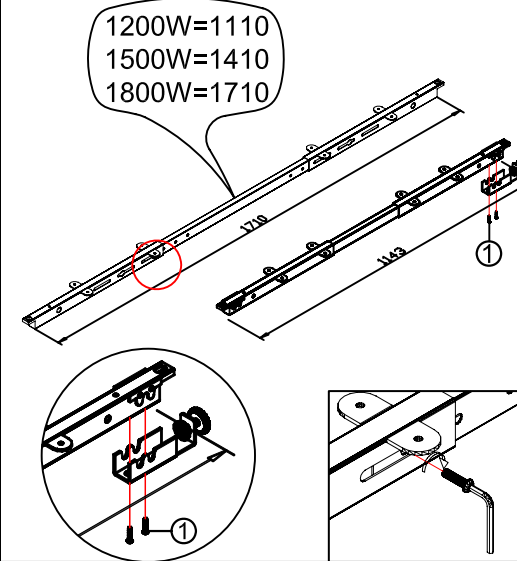


Screw 8x16 1 22PCS	R 5 1PCS
Screw 6x16 2 4PCS	M5 M4 6 1PCS
Screw 5x20 3 42PCS	7 2PCS
L 4 2PCS	M8 8 1PCS

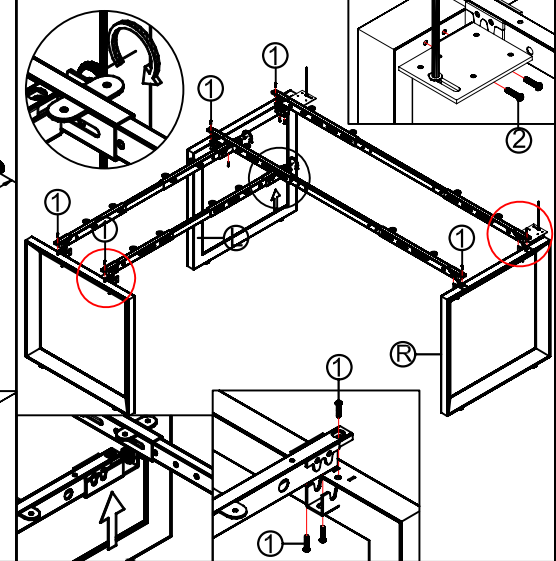
Assembly Instructions

MODEL NO: Loop Leg Assembly Instructions

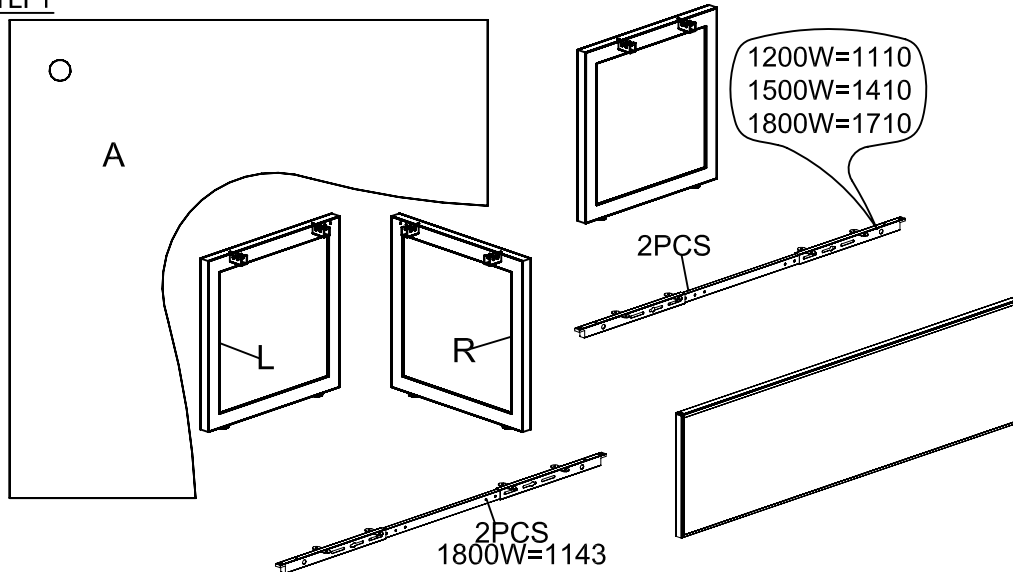
STEP2



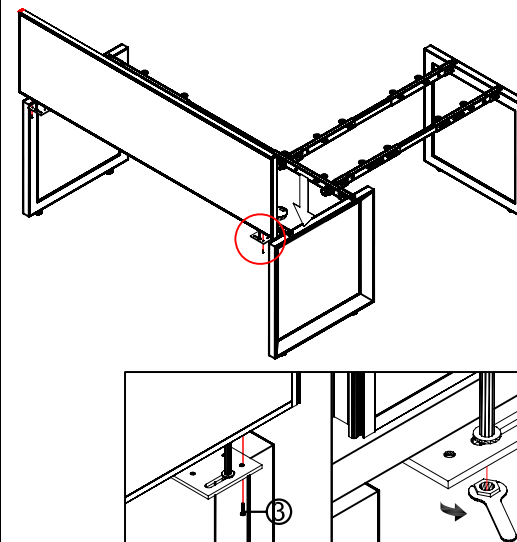
STEP3



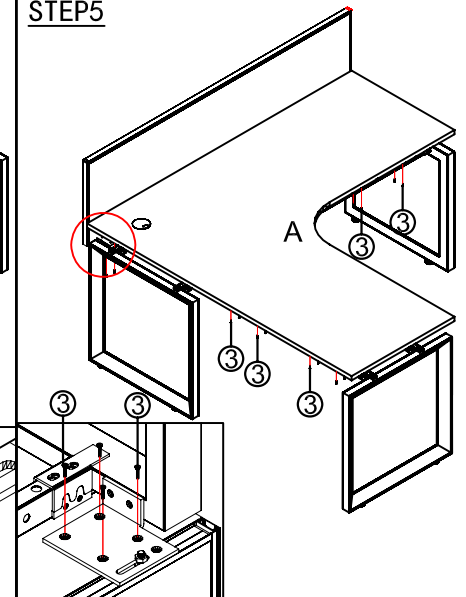
STEP1



STEP4

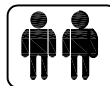


STEP5



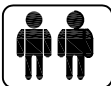
IMPORTANT NOTE:

- Place all laminated parts on a clean and smooth surface such as a rug or carpet to avoid the parts from being scratched.
- Check to be sure that you have all parts and hardware.
- Remove all wrapping materials, including staples & packing straps before you start to assemble.
- Don't tighten all screws/bolts until all completely assembled.
- Keep all hardware parts out of reach of children



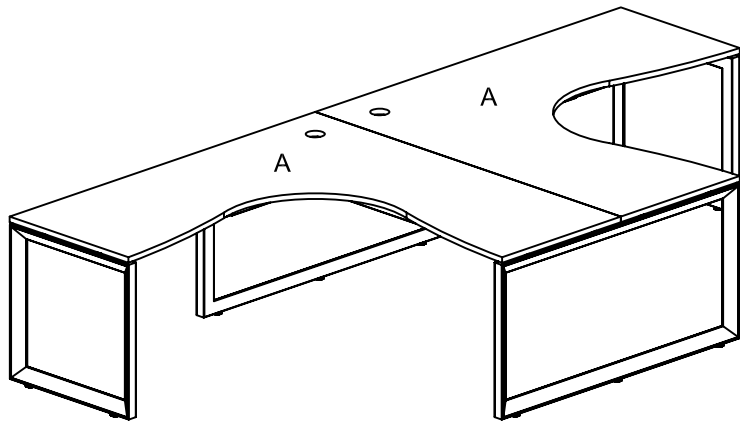
IMPORTANT NOTE:

- Place all laminated parts on a clean and smooth surface such as a rug or carpet to avoid the parts from being scratched.
- Check to be sure that you have all parts and hardware.
- Remove all wrapping materials, including staples & packing straps before you start to assemble.
- Don't tighten all screws/bolts until all completely assembled.
- Keep all hardware parts out of reach of children



Assembly Instructions

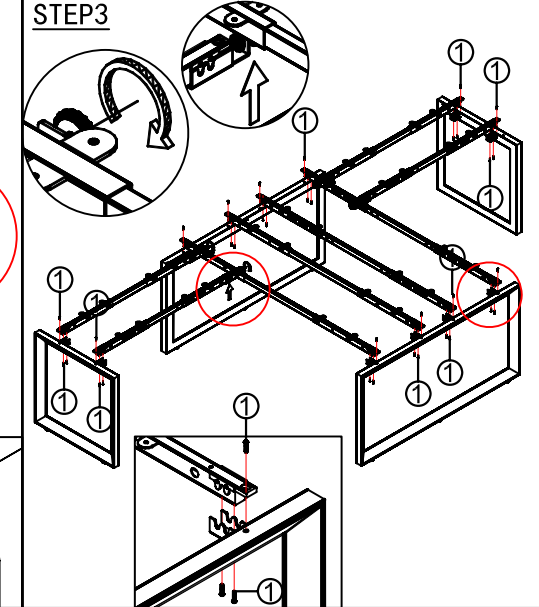
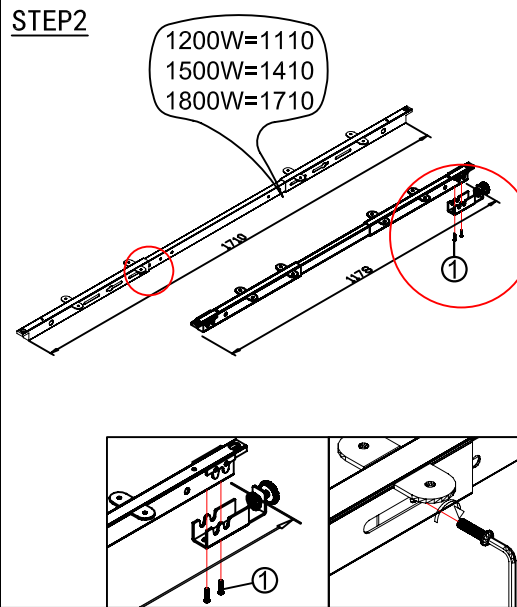
MODEL NO: Loop Leg Assembly Instructions



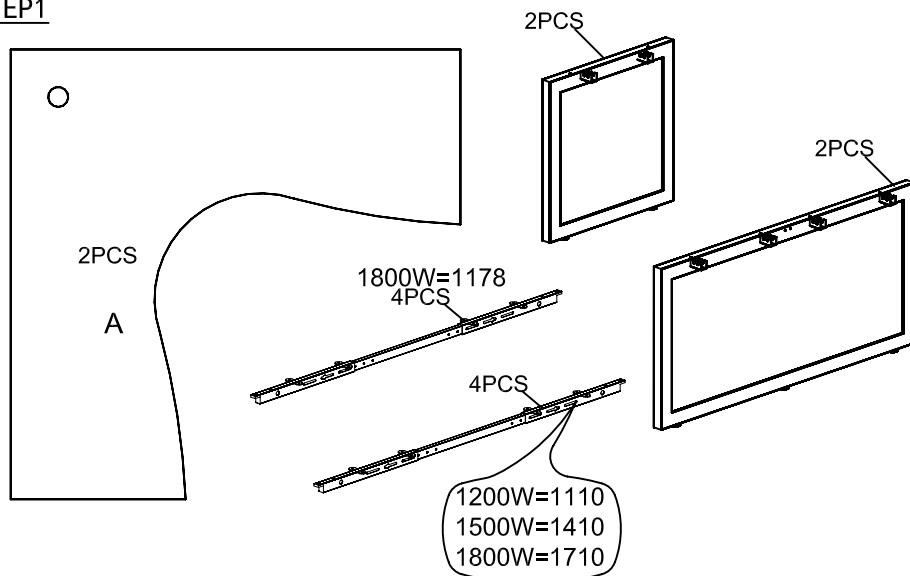
Screw	8x16	M5
1	44PCS	M4
3	1PCS	
Screw	5x20	4
2	64+4PCS	4PCS

Assembly Instructions

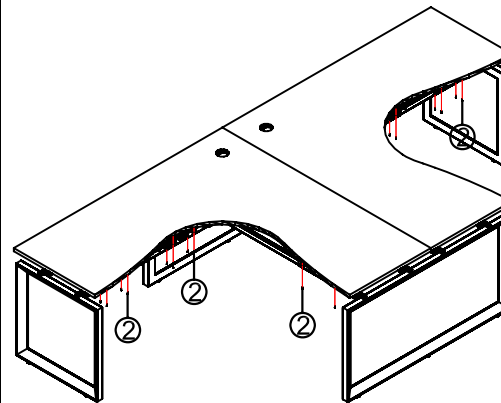
MODEL NO: Loop Leg Assembly Instructions



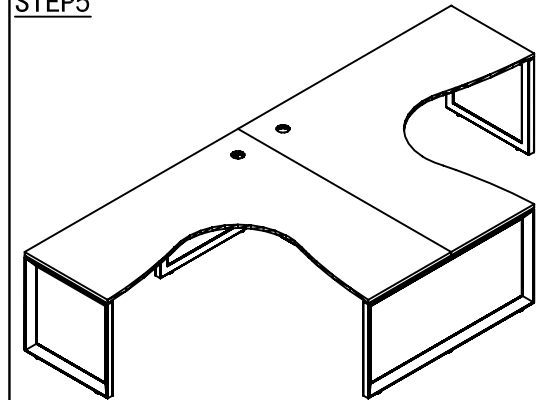
STEP1



STEP4

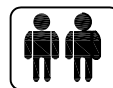


STEP5



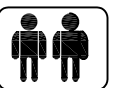
IMPORTANT NOTE:

- Place all laminated parts on a clean and smooth surface such as a rug or carpet to avoid the parts from being scratched.
- Check to be sure that you have all parts and hardware.
- Remove all wrapping materials, including staples & packing straps before you start to assemble.
- Don't tighten all screws/bolts until all completely assembled.
- Keep all hardware parts out of reach of children



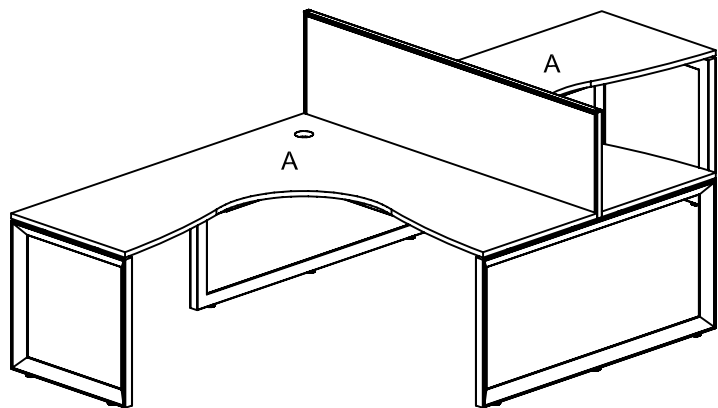
IMPORTANT NOTE:

- Place all laminated parts on a clean and smooth surface such as a rug or carpet to avoid the parts from being scratched.
- Check to be sure that you have all parts and hardware.
- Remove all wrapping materials, including staples & packing straps before you start to assemble.
- Don't tighten all screws/bolts until all completely assembled.
- Keep all hardware parts out of reach of children



Assembly Instructions

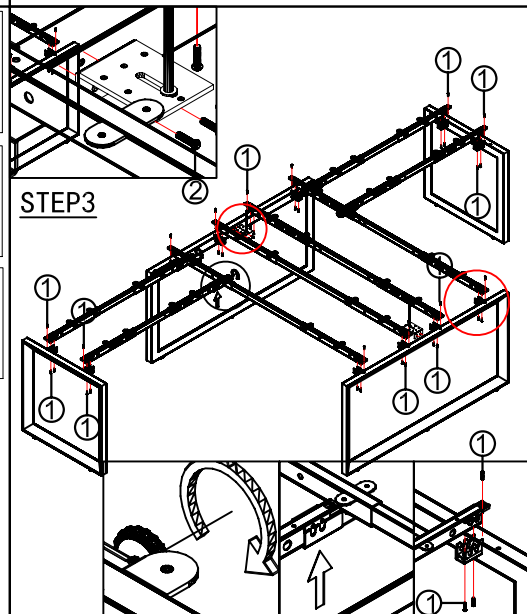
MODEL NO: Loop Leg Assembly Instructions



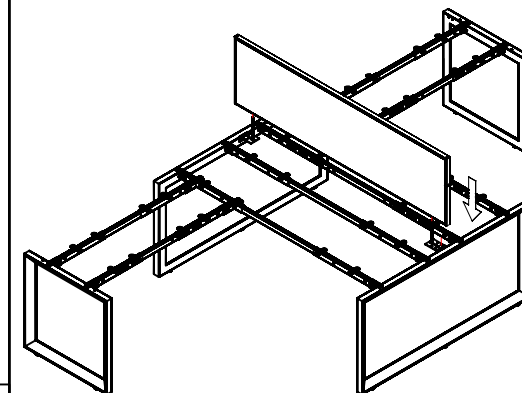
Screw 8x16	1	44PCS	M5 M4	5	1PCS
Screw 6x16	2	4PCS	6	4PCS	
Screw 5x20	3	74+4PCS	M8	7	1PCS
L	4	2PCS			

Assembly Instructions

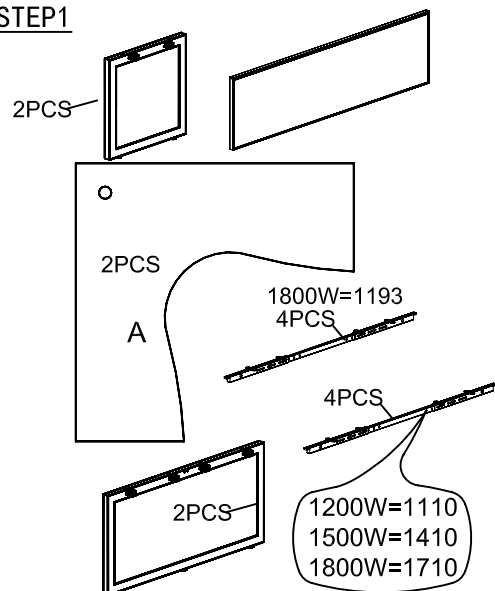
MODEL NO: Loop Leg Assembly Instructions



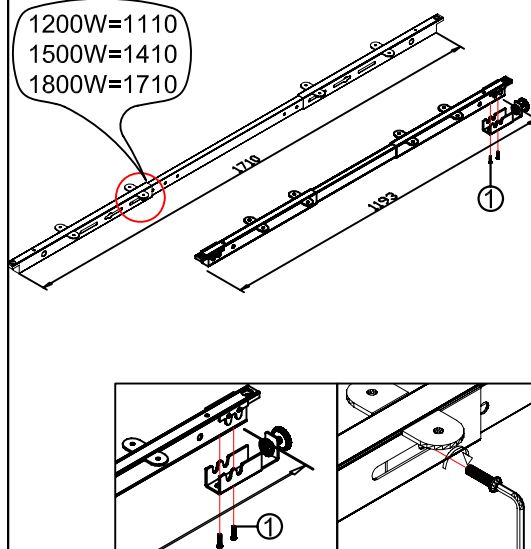
STEP4



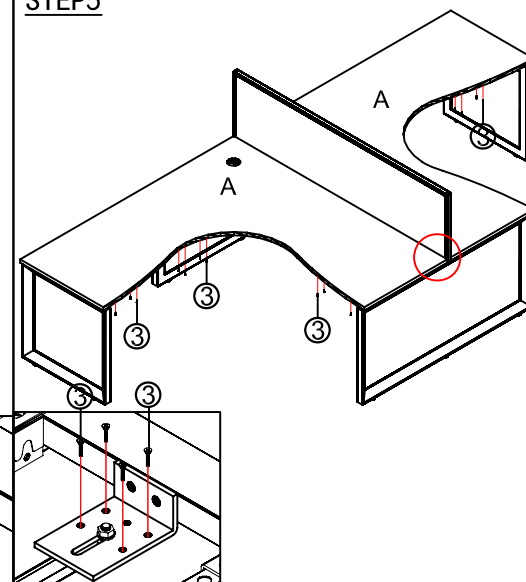
STEP1



STEP2

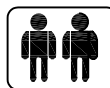


STEP5



IMPORTANT NOTE:

- Place all laminated parts on a clean and smooth surface such as a rug or carpet to avoid the parts from being scratched.
- Check to be sure that you have all parts and hardware.
- Remove all wrapping materials, including staples & packing straps before you start to assemble.
- Don't tighten all screws/bolts until all completely assembled.
- Keep all hardware parts out of reach of children



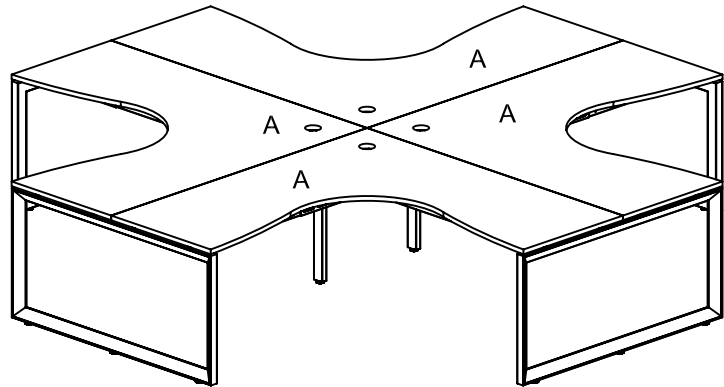
IMPORTANT NOTE:

- Place all laminated parts on a clean and smooth surface such as a rug or carpet to avoid the parts from being scratched.
- Check to be sure that you have all parts and hardware.
- Remove all wrapping materials, including staples & packing straps before you start to assemble.
- Don't tighten all screws/bolts until all completely assembled.
- Keep all hardware parts out of reach of children



Assembly Instructions

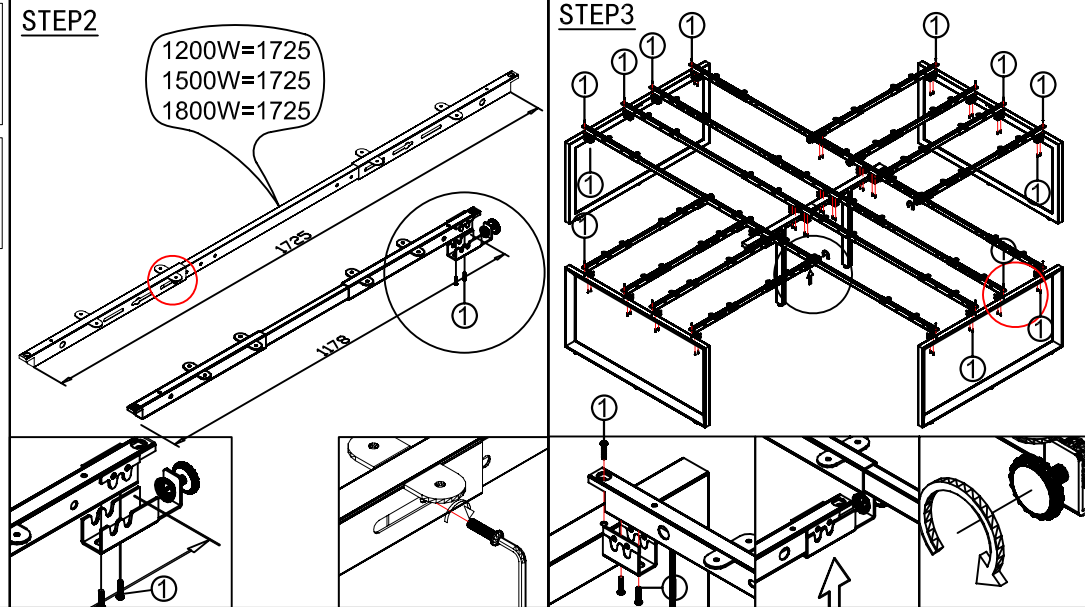
MODEL NO: Loop Leg Assembly Instructions



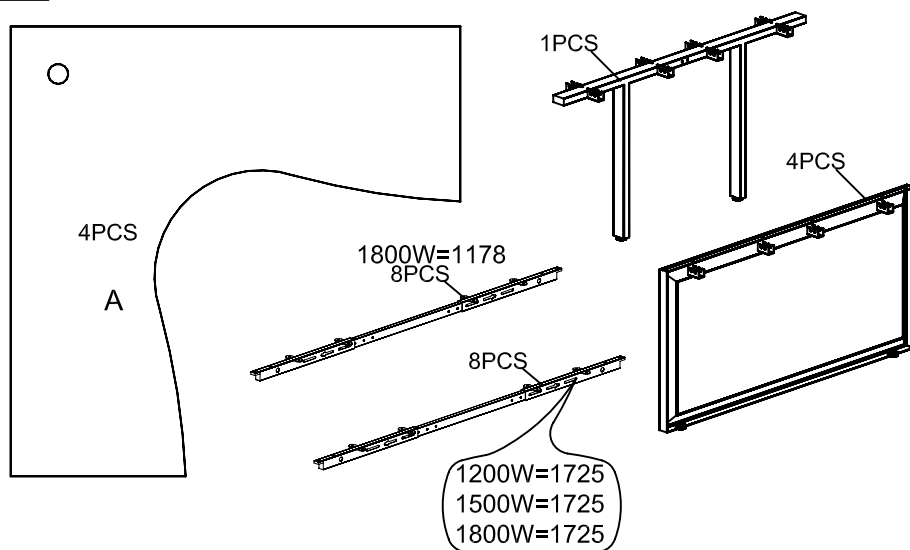
Screw	8x16	M5
1	88PCS	1PCS
Screw	5x20	M4
2	128+4PCS	8PCS

Assembly Instructions

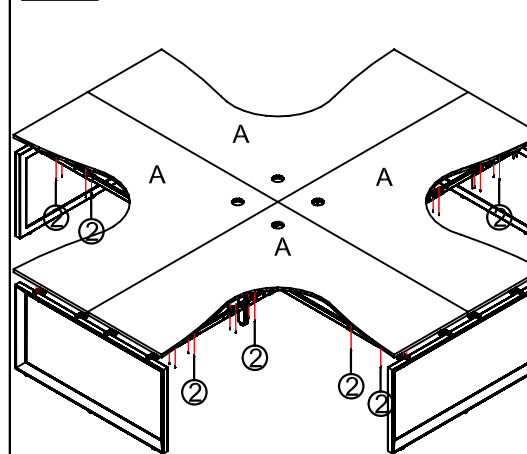
MODEL NO: Loop Leg Assembly Instructions



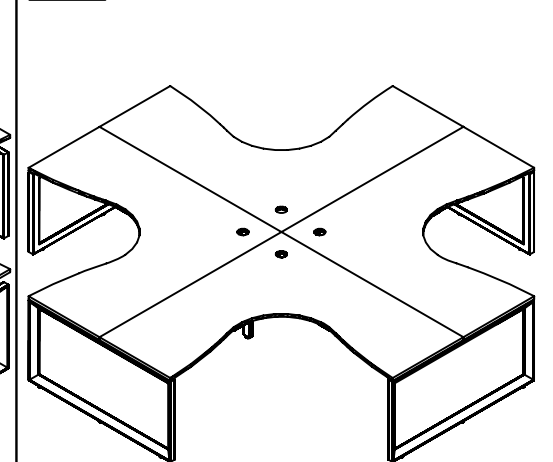
STEP1



STEP4

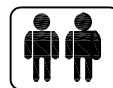


STEP5



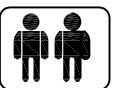
IMPORTANT NOTE:

- Place all laminated parts on a clean and smooth surface such as a rug or carpet to avoid the parts from being scratched.
- Check to be sure that you have all parts and hardware.
- Remove all wrapping materials, including staples & packing straps before you start to assemble.
- Don't tighten all screws/bolts until all completely assembled.
- Keep all hardware parts out of reach of children



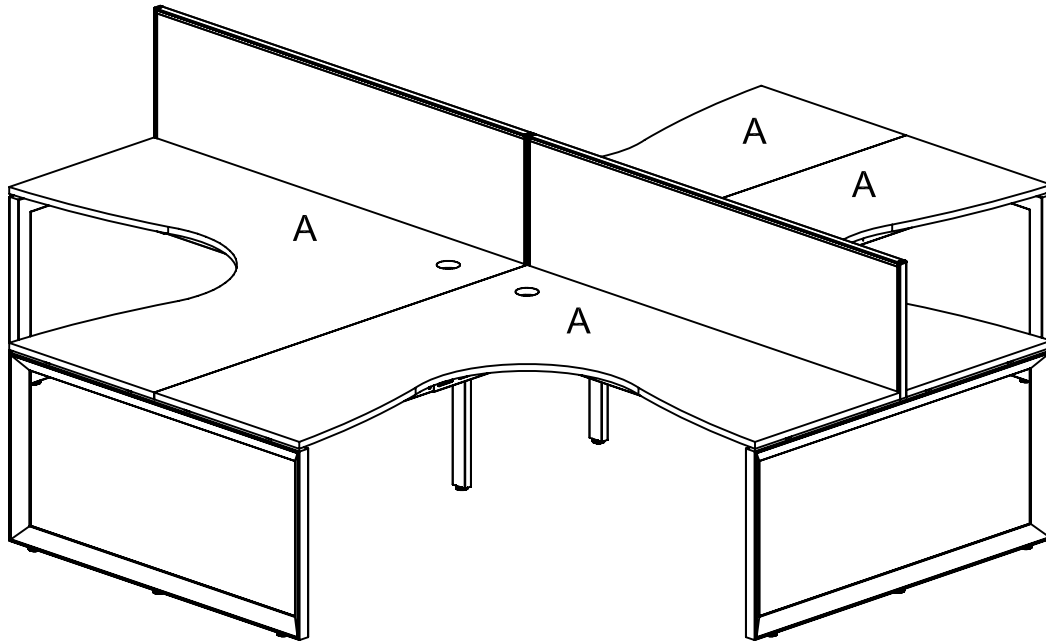
IMPORTANT NOTE:

- Place all laminated parts on a clean and smooth surface such as a rug or carpet to avoid the parts from being scratched.
- Check to be sure that you have all parts and hardware.
- Remove all wrapping materials, including staples & packing straps before you start to assemble.
- Don't tighten all screws/bolts until all completely assembled.
- Keep all hardware parts out of reach of children



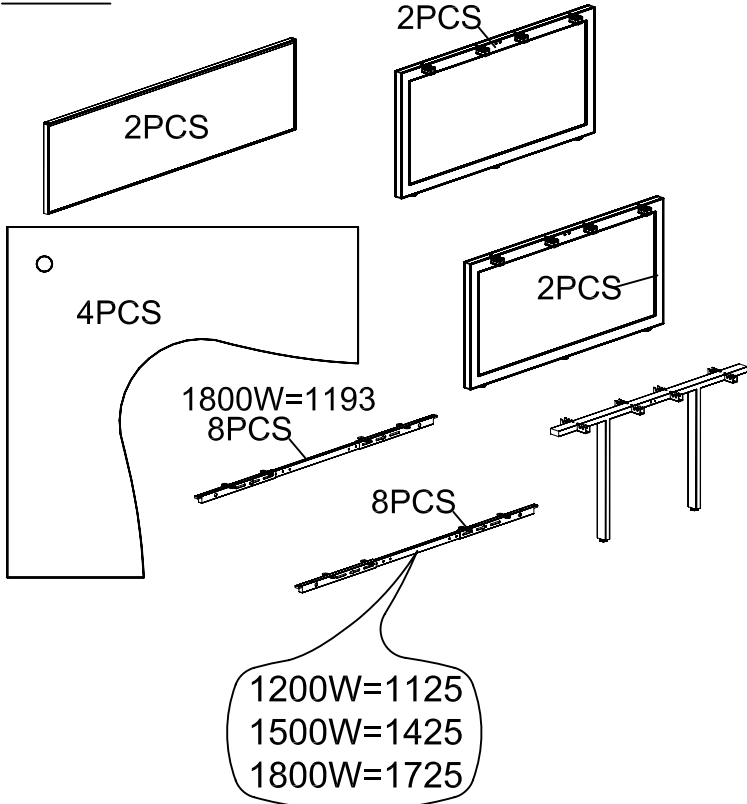
Assembly Instructions

MODEL NO: Loop Leg Assembly Instructions

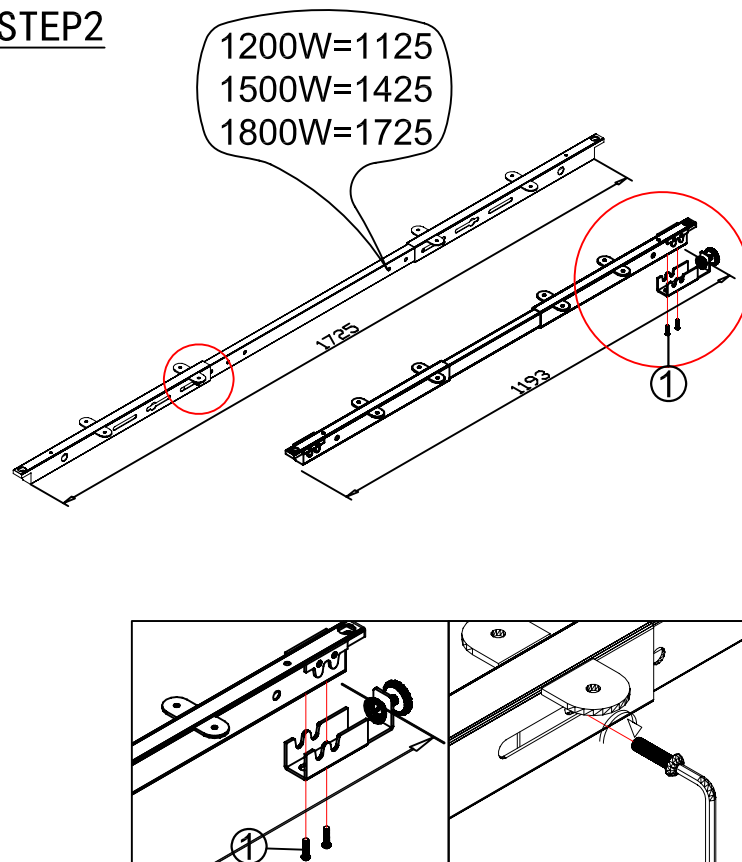


Screw 8×16 1 88PCS	M5 M4 1PCS
Screw 6×16 2 8PCS	6 8PCS
Screw 5×20 3 148+4PCS	M8 7 1PCS
L 4 4PCS	

STEP1

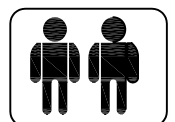


STEP2



IMPORTANT NOTE:

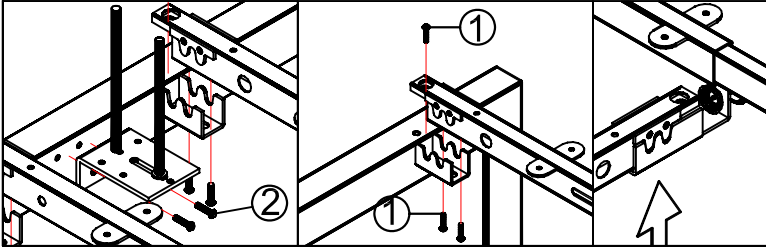
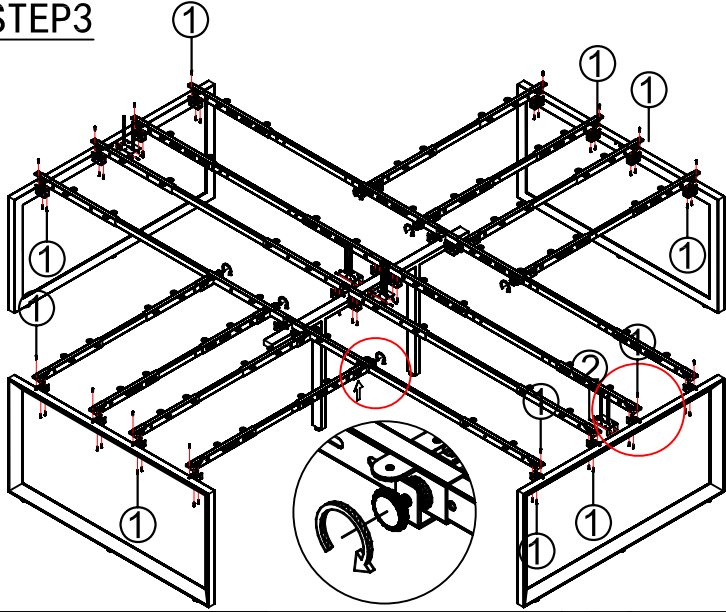
- Place all laminated parts on a clean and smooth surface such as a rug or carpet to avoid the parts from being scratched.
- Check to be sure that you have all parts and hardware.
- Remove all wrapping materials, including staples & packing straps before you start to assemble.
- Don't tighten all screws/bolts until all completely assembled.
- Keep all hardware parts out of reach of children



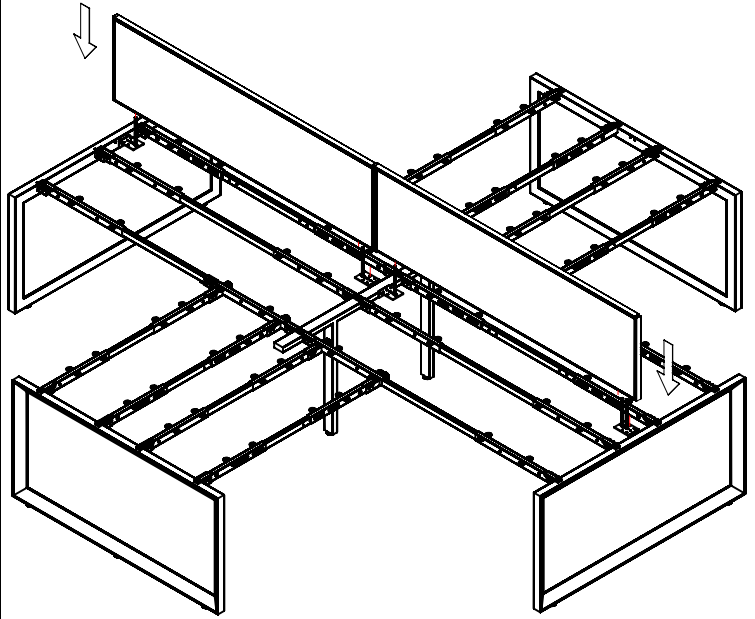
Assembly Instructions

MODEL NO: Loop Leg Assembly Instructions

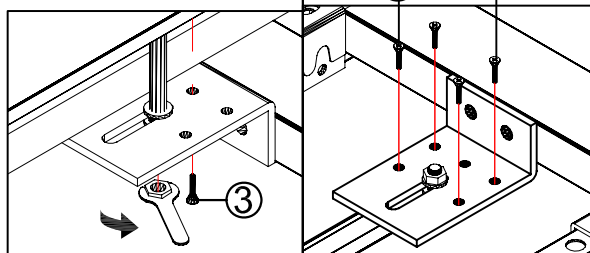
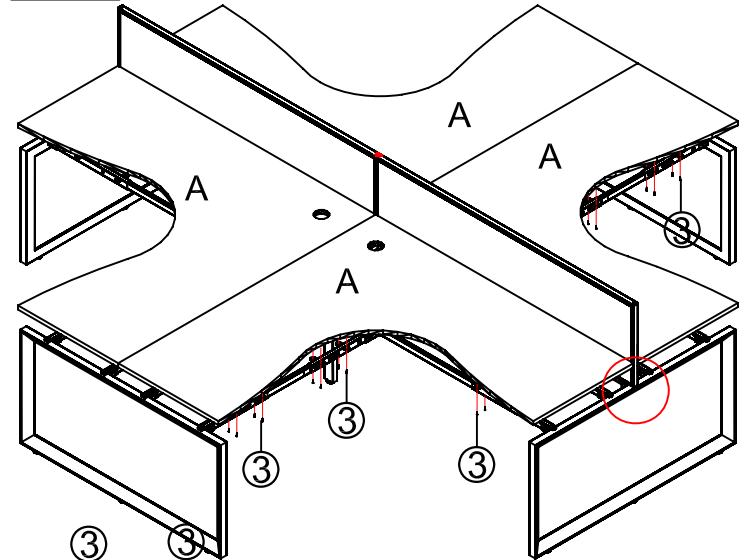
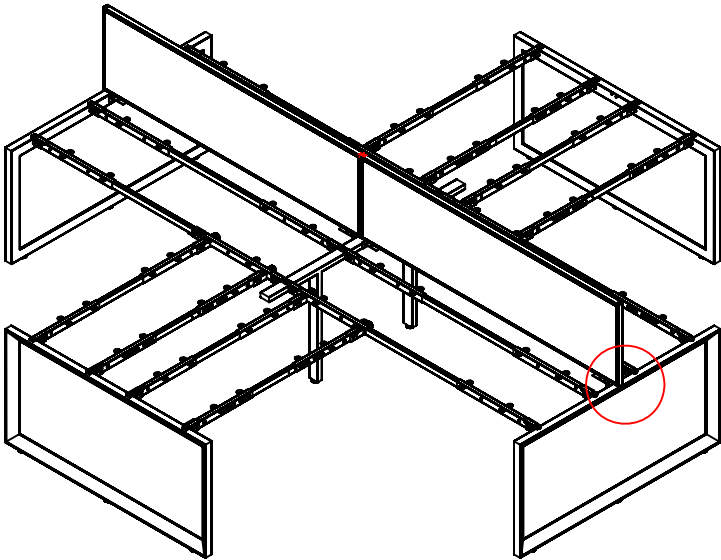
STEP3



STEP4



STEP5



IMPORTANT NOTE:

- Place all laminated parts on a clean and smooth surface such as a rug or carpet to avoid the parts from being scratched.
- Check to be sure that you have all parts and hardware.
- Remove all wrapping materials, including staples & packing straps before you start to assemble.
- Don't tighten all screws/bolts until all completely assembled.
- Keep all hardware parts out of reach of children

