

ASSEMBLY INSTRUCTIONS:

Product Code : CH12 / CH15 / CH18

Product Name: Rapid Span, Worker and Vibe Hutch

TIME REQUIRED:

30 minutes

TOOLS REQUIRED:

Screwdriver, Electric Drill, Pencil, Measuring tape/Ruler

*Tools are not included.

SKILL REQUIRED:

Easy ●●●●○ Hard

The Assembly Skill Rating is a 5-point system that shows the degree of effort needed in assembling a specific product. With 1 being easy for the average person and 5 requiring an expert. For most products, two persons are recommended.

NOTE

- As this is a commercial product, some intermediate skills may be required.
 - No pre-drill holes or markings are provided on our table or desk tops.
 - Please check you have all hardware before assembling.
- If you are missing any hardware, please contact your Rapidline reseller. Please ensure you have the name of the item, required hardware part and quantity.
 - Please retain your receipt as proof of purchase to validate your warranty.
- Assemble on a clean, flat, smooth surface such as a rug or carpet to avoid parts from being scratched.
 - Remove all wrapping materials, including staples and packing straps before you start to assemble
 - Keep all hardware parts out of reach of children.

CAUTION

- Heavy product. Do not attempt to lift or move without help
- Do not tighten screws and bolts until completely assembled.
- Do not use this product unless all bolts and screws are firmly secured and tightened.

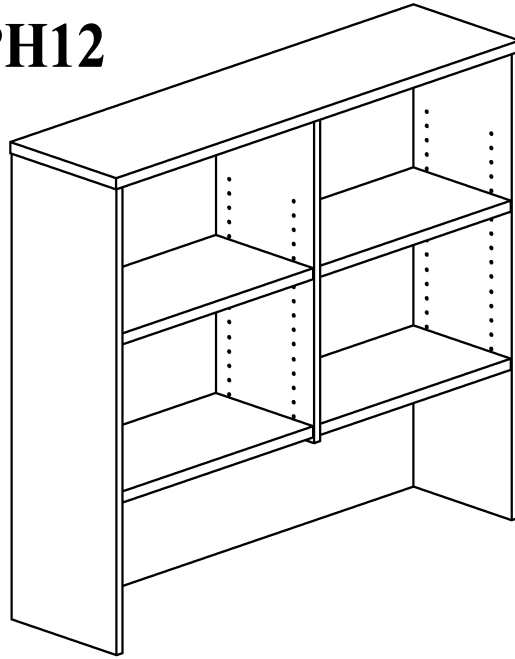
WARNING

- If parts are missing, broken, damaged or worn stop using the product until all repairs are made.
 - Failure to follow these warnings could result in serious injury.

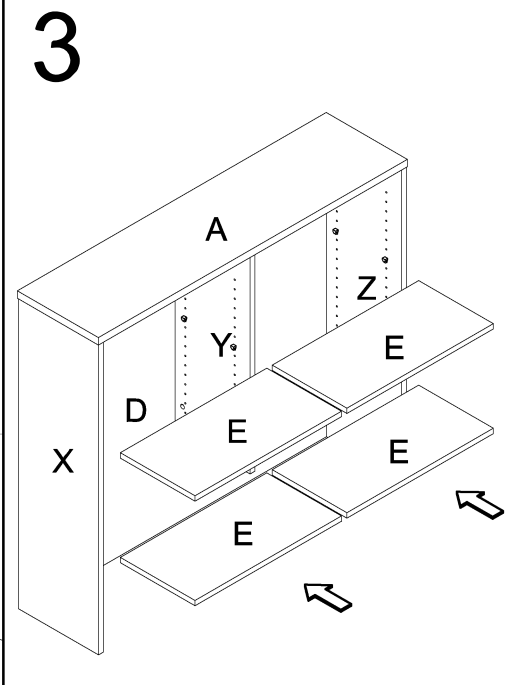
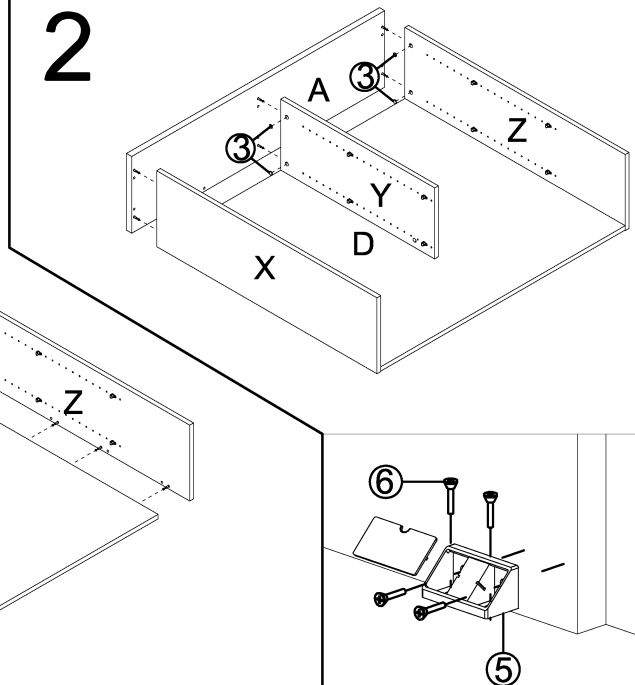
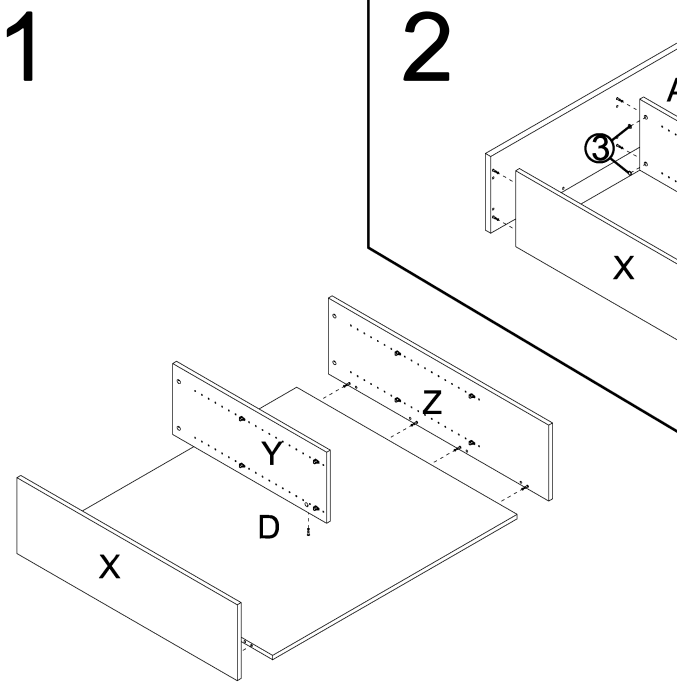
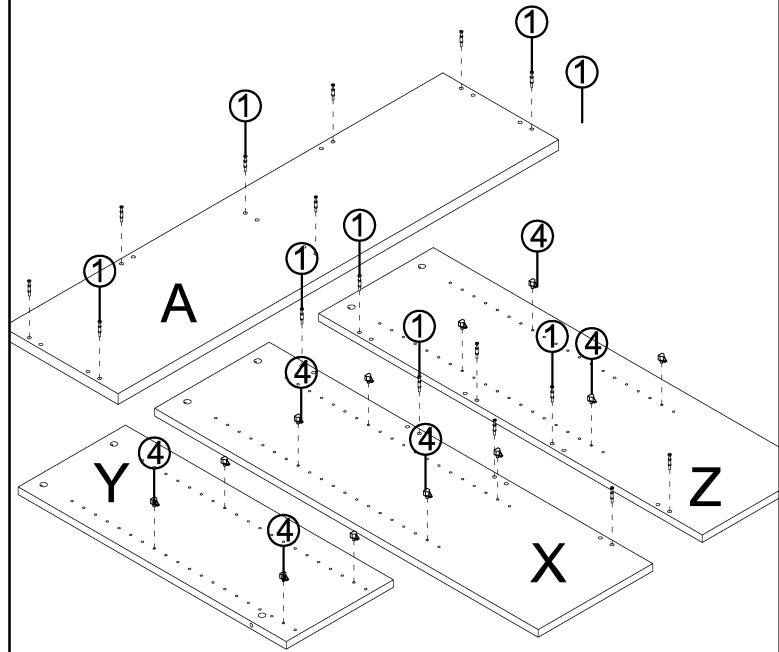
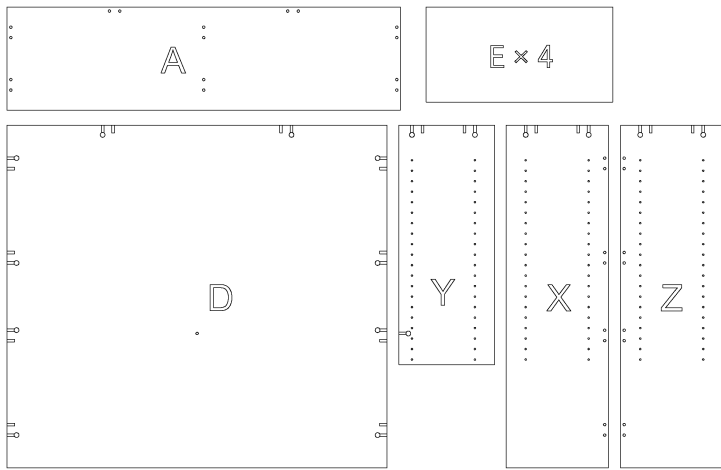
ASSEMBLY INSTRUCTIONS

CH12, CH15, SPH12

rapidline
FURNITURE FOR TODAY

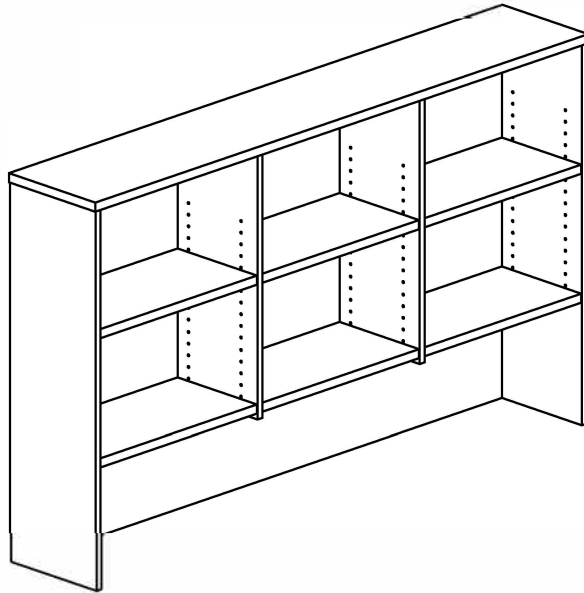


| | | | |
|--------------|------|---|-------|
| pin | 6x35 | 1 | 17PCS |
| CAM | | 2 | 17PCS |
| Cam Cover | | 3 | 17PCS |
| Bolt Minifix | | 4 | 16PCS |
| Bracket | | 5 | 4PCS |
| Screw | 4x16 | 6 | 16PCS |
| | | | |



ASSEMBLY INSTRUCTIONS

CH18 & SPH18



rapidline
FURNITURE FOR TODAY

| | | |
|--------------|---|-------|
| pin 6x35 | 1 | 22PCS |
| CAM | 2 | 22PCS |
| Cam Cover | 3 | 22PCS |
| Bolt Minifix | 4 | 24PCS |
| Bracket | 5 | 4PCS |
| Screw 4x18 | 6 | 16PCS |
| | | |

