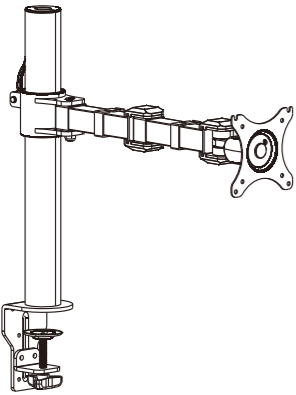


Item No.:RMA1 BL

Installation guide



A x4 M4x12MM
B x4 M5x12MM
C x3 M6x16MM
D x2 M6x10MM
E x8
F x1 4x4
G x1 3x3
H x1 6x6

1. Tube Cover (2PCS)
 2. TV plate (1PCS)
 3. Tube (1PCS)
 4. Bottom support 1 (1PCS)
 5. Knob (1PCS)
 6. Anti-Slip rubber (1PCS)
 7. Bottom support 2 (1PCS)
 8. Bottom support 3 (1PCS)
 9. M8x110mm Screw (1PCS)



STEP2-B

OPTION 1:Grommet

1 **2** **3**

Size of the hole:8.5-70mm

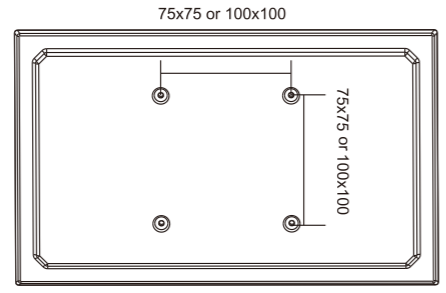
For desk thickness 20-90mm

Tighten

STEP1

Preparations before installing monitor

- 1.Make sure there are VESA holes 100x100mm or 75x75mm in the monitor.If not, the mount couldn't be installed.
- 2.Remove the original fixed base of monitor.Be careful not to scratch the screen.



STEP3

Install TV plate

1 **2**

Cable cover

⚠ warning
Make sure the handle here is tightly locked before hang up the screen

STEP2-A

OPTION 1:Clamp

1 **2** **3**

For desk thickness 20-100mm

Tighten

Please select the appropriate mounting holes according to the thickness of desk

STEP4

Attaching screen to TV plate

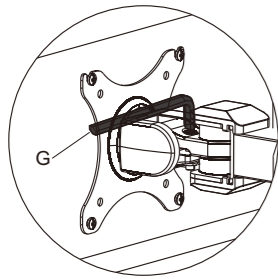
1 **1** **1**

E A/B

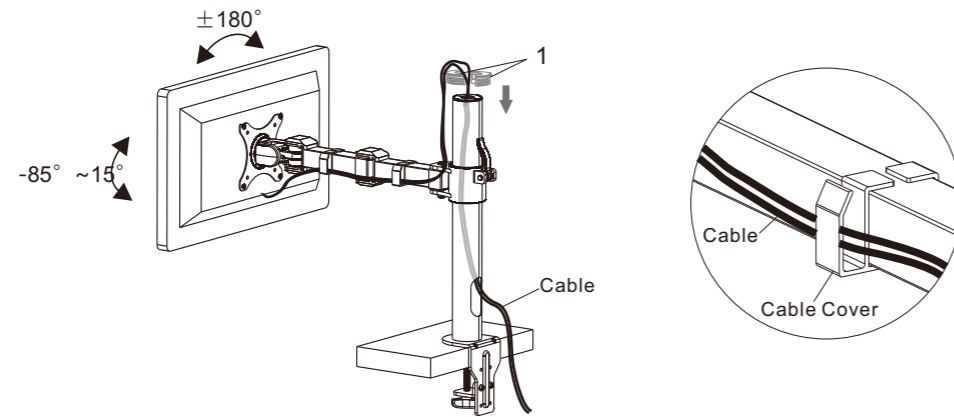
Increase washer(E) based on actual situation

STEP 5

Adjusting screen



To adjust the monitor with the supplied 5x5 allen key(G)



CAUTION

- This product contains small items that could be a choking hazard if swallowed. Keep these items away from young children.
- Make Sure these instructions are read and completely understood before attempting installation. If you are unsure of any part of this installation, please contact a professional installer for assistance.
 - The desk or mounting surface must be capable of supporting the combined weight of the mount and the display, otherwise the structure must be reinforced.
 - please check joint parts every two months, making sure the screws are loosened or not.

This product was designed to be installed on desk. Before installing, make sure the mount will support the combined load of the equipment and hardware. Never exceed the maximum load capacity 10 KG, or else it may result in product failure or personal injury.

Note: this product is intended for indoor use only. Use of this product outdoors could lead to product failure or personal injury.